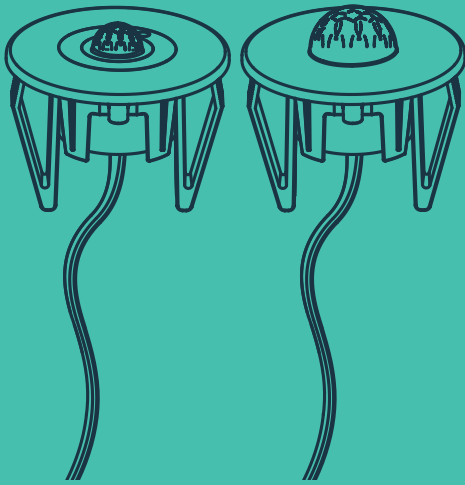


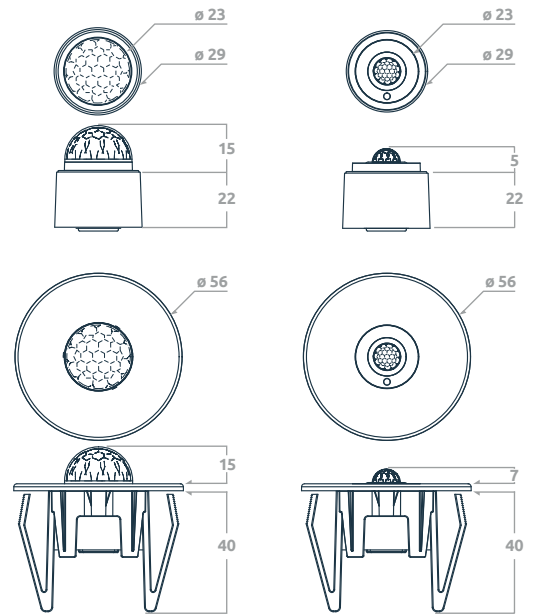
DALI-2 PIR sensor **zc-pir**

zencontrol



Dimensions

Mounting options	Recessed or surface mounted (see accessories)	
Cut out	ø 44 mm	
Installation height	2.2 - 4 m	
Min. ceiling depth	70 mm	
Dimensions	ø 56 / 55 mm	ø 56 / 47 mm



Product range

Order code	Description
zc-pir-5m	DALI-2 PIR sensor, 5 m detection area
zc-pir-8m	DALI-2 PIR sensor, 8 m detection area

Specifications

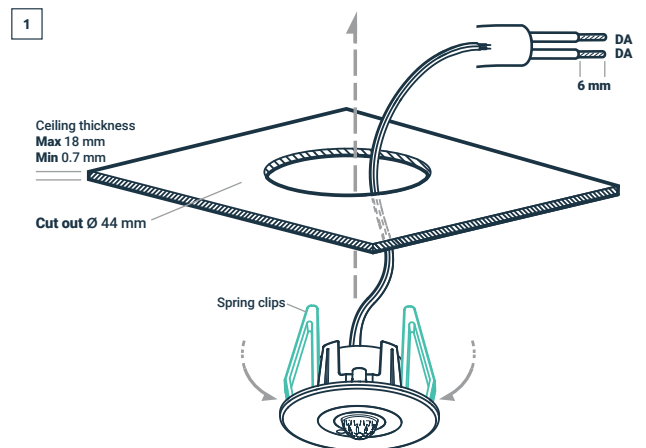
Supply voltage	9.5 - 22.5 V dc (supplied from DALI)
Supply current	8 mA
Control system	DALI-2
Receiver start-up time	100ms
Transmitter start-up time	1000ms
Sensors	PIR, ambient light
Operating temperature	0 to 45°C
Lens	Fresnel
Wiring	2x0.5 mm ² 1.3 m flylead
Ingress protection	IP20
Material	PC (body)

Installation

Remove the product from the box and inspect it for any damage. If you believe the product to be damaged or otherwise unsound, **do not** install the product. Please return it to the place of purchase for replacement.

If the product is satisfactory, proceed with the installation:

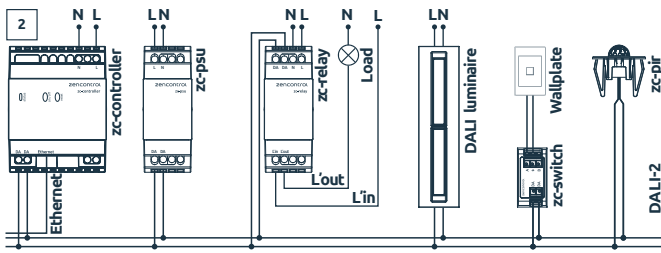
- 1 Choose a location considering the conditions listed in the **detection pattern** section.
- 2 Drill mounting hole in desired position using 44 mm hole saw.
- 3 Push the spring clips in as per **fig 1**. Insert sensor into the desired position and the spring clips will automatically release, ensuring that the sensor is secure and flush up against the ceiling.
- 4 Connect the 2x0.5 mm² lead to the DALI line ensuring wiring regulations are followed. DALI is not polarised. DALI is not SELV and as such must be treated as LV. **Do not connect the sensor to any mains voltages.**



Safety information

- This product must only be installed by a licensed electrician.
- Before commencing installation turn off and isolate the electrical supply.
- There are no user serviceable parts, attempting to service any part of the product will void the warranty
- The sensor must not be connected to any mains. It is powered directly from the DALI line.
- DALI is not SELV and as such should be treated as LV.
- As the installer, it is your responsibility to ensure you comply to all relevant building and safety codes. Refer to application standards for the relevant rules.
- When the installation is complete, leave this manual with the building's owner for future reference.

System overview



Notice



For more information on compliant software see our website zencontrol.com

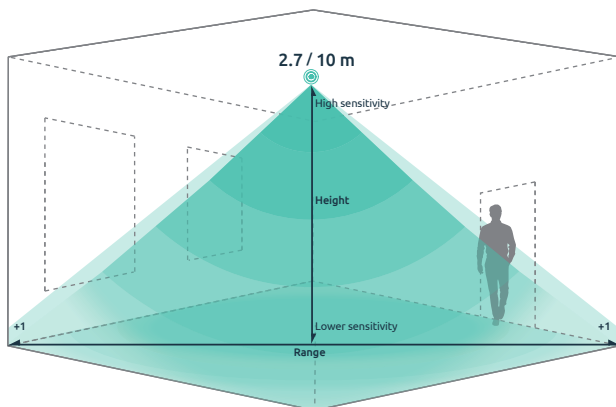
Usage

Ambient light level sensing Measurements between 0 - 10,000 lux
Set points and trigger levels controlled by DALI-2 application controller

Time-out actions and events Configuration dependent on DALI-2 application controller

Detection pattern

Order code	Range \varnothing	Mounting height
zc-pir-5m	5 m	2.7 m
zc-pir-8m	8 m	2.7 - 10 m



- The detection range of the unit may alter with changes in ambient temperature.
- Position sensor so that movement occurs across the scan area.
When walking directly towards or away from the sensor the detection range will be reduced.
- Do not direct sensor at reflective surfaces or variable heat sources i.e. windows or air conditioners.
- Do not aim the sensor directly at the sun as this may cause damage to the PIR sensor.

Accessories range

Order code	Description
zc-pir-rs-kit	PIR sensor recess mount kit
zc-pir-cd-kit	PIR sensor conduit mount kit
zc-pir-sm-kit	PIR sensor surface mount kit