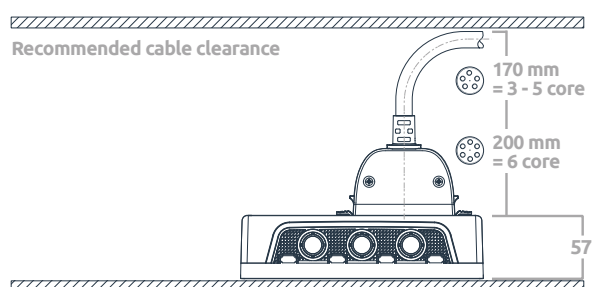
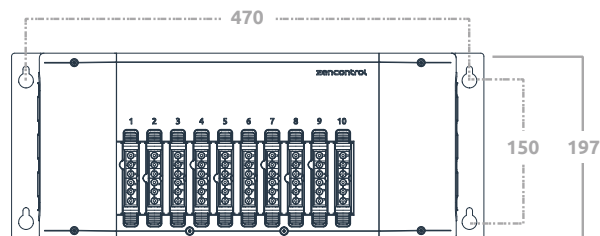


Dimensions

Mounting options Independently mounted control for surface mounting

Mounting centres 470 / 150 mm

Dimensions 197 / 500 / 57 mm



Product range

Order code	Description
zc-lcm-lite	Lite lighting control module
zc-lcm	Full feature lighting control module
zc-room-basic	Basic room controller
zc-room-lite	Lite room controller
zc-room	Full feature room controller

Specifications

Supply voltage	230 V ~ 50 Hz
DALI supply current	235 mA
Relay rating	Switched live 10 A Unswitched / emergency test contact 6 A
Terminal capacity	Mains 1 - 4 mm ² , strip 8 - 9 mm Digital I/O 0.5 - 2.5 mm ² , strip 5 - 6 mm
Load per circuit	10 A
Load per channel	6 A fluorescent and incandescent lighting 3 A compact fluorescent lighting 3 A low energy lighting DALI power supply 16.5 V dc 235 mA
Operating temperature	0 to 45°C
Material	PC
Classification	Class I

Safety information

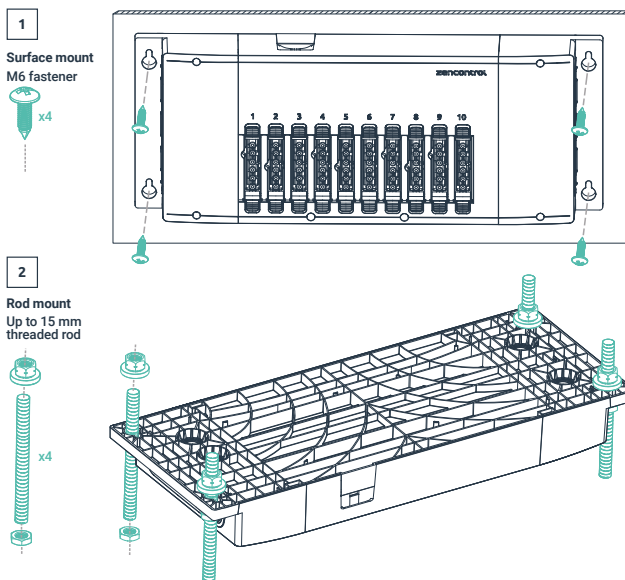
- This product must only be installed by a licensed electrician.
- Before commencing installation or servicing turn off and isolate all supply circuits.
- Risk of accidental contact with live parts. Do not energise with product open or disassembled.
- There are no user serviceable parts, attempting to service any part of the product will void the warranty
- DALI is not SELV and as such should be treated as LV.
- As the installer, it is your responsibility to ensure you comply to all relevant building and safety codes. Refer to application standards for the relevant rules.
- When the installation is complete, leave this manual with the building's owner for future reference.
- Each circuit must be protected by a MCB rated at 16 A or less

Installation

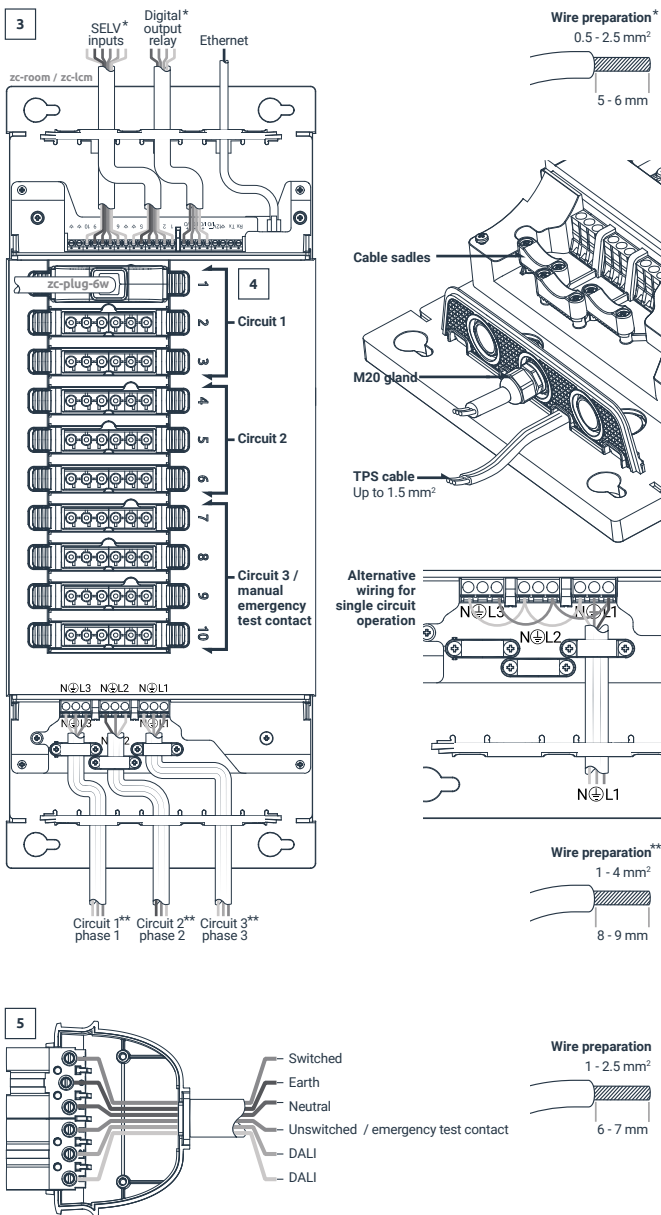
Remove the product from the box and inspect it for any damage. If you believe the product to be damaged or otherwise unsound, **do not** install the product. Please pack it back into its box and return it to the place of purchase for replacement.

If the product is satisfactory, proceed with the installation:

- 1 Ensure safety warnings are adhered to.
- 2 Mount the unit as shown in **fig 1** or **fig 2** using the appropriate fasteners (not included).
- 3 Wire terminal I/O and secure using provided cable clamps or M20 cable glands as per the wiring diagram in **fig 3**.
- 4 Connect starter leads to output channels per wiring diagram in **fig 4**. Emergency luminaires requiring a dedicated emergency test contact should be connected to output 7 - 10.



Wiring diagram



Notice



For more information on compliant software see our website zencontrol.com

Warranty

The relevant Consumer Law as well as other laws guarantee certain conditions, warranties and undertakings, and give you other legal rights, in relation to the quality and fitness for purpose of zencontrol products.

zencontrol goods come with guarantees that cannot be excluded under the relevant Consumer Law. You are entitled to a replacement or refund for a major failure and compensation for any other reasonably foreseeable loss or damage. You are also entitled to have the goods repaired or replaced if the goods fail to be of acceptable quality and the failure does not amount to a major failure. What constitutes a major failure is set out in the relevant Consumer Law.

Nothing in this Warranty purports to modify or exclude the conditions, warranties and undertakings, and other legal rights, under the law.

zencontrol products are warranted for a period of 12 months from the date of delivery of the product, provided the products are properly stored, installed, used and maintained in accordance with the instructions contained within their manual. Products that have been altered in any way or used other than in accordance with their instructions are not covered by this Warranty. This Warranty is not transferrable and is valid only in the hands of the purchaser of the product. The warranty does not cover zencontrol products other than those purchased from authorised zencontrol distributors. Proof of purchase must be provided with any warranty claim. It is recommended that the purchaser attaches their proof of purchase to their product manual.

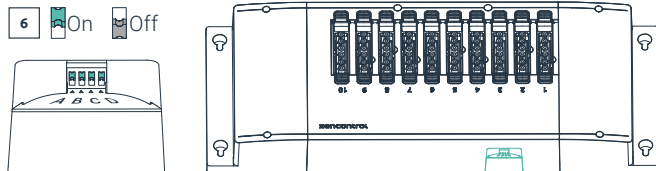
If you wish to claim under this Warranty, you must, provide the product code and serial number of the product which you believe is defective, and proof of original purchase, your name, address and telephone number and a certificate of installation or other document required by the law for the installation of electrical products in the place in which the product was installed, to support@zencontrol.com within 12 months from the date of purchase. Please note that the Warranty does not cover removal or reinstallation of the product or that part of the product which you believe is defective.

zencontrol's total liability under this Warranty is limited to the cost of repair or replacement of the faulty product. zencontrol may satisfy its obligations under this Warranty in full by repair or replacement of a faulty product.

This Warranty does not apply to consumable items that can be classified as consumable. For the avoidance of any doubt, any and all warranties or conditions which are not guaranteed under the relevant Competition and Consumer Act or the relevant Competition and Consumer Regulations and which are not expressly included in this Warranty as additional warranties or conditions are excluded. This Warranty does not cover loss or damage caused by wear and tear, misuse, incorrect installation or operation, failure to clean and maintain, incorrect voltage or non-authorised electrical connections, adverse external conditions (such as power surges and dips, acts of God, exposure to heat, corrosion, insect or vermin infestation), use of non-authorised or defective parts or globes, or to items that have been repaired other than by zencontrol or a repairer approved by zencontrol.

Configuration

Dip switch settings



Sensor delay

Absence / presence

A	B	C	D
10 min	15 min	Presence	Reserved for later use
20 min	30 min	Absence	