

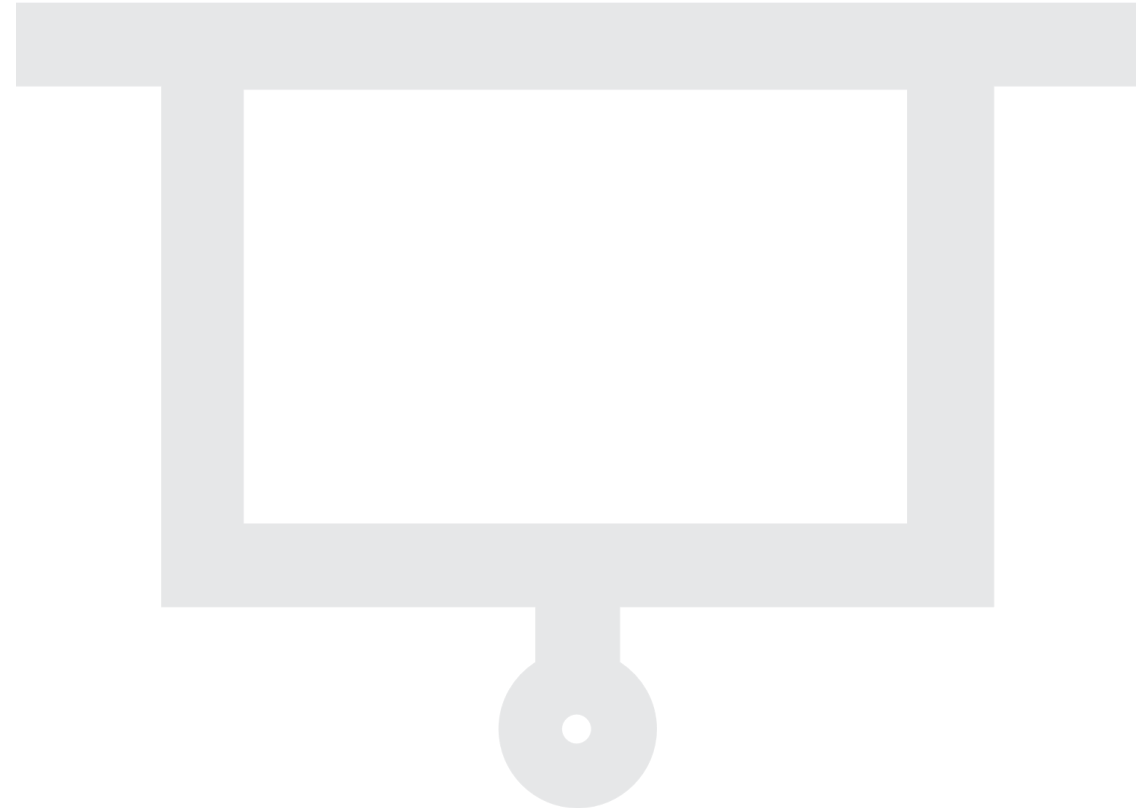
zencontrol

Blind control

Smart **blind control** is a must in modern energy saving buildings

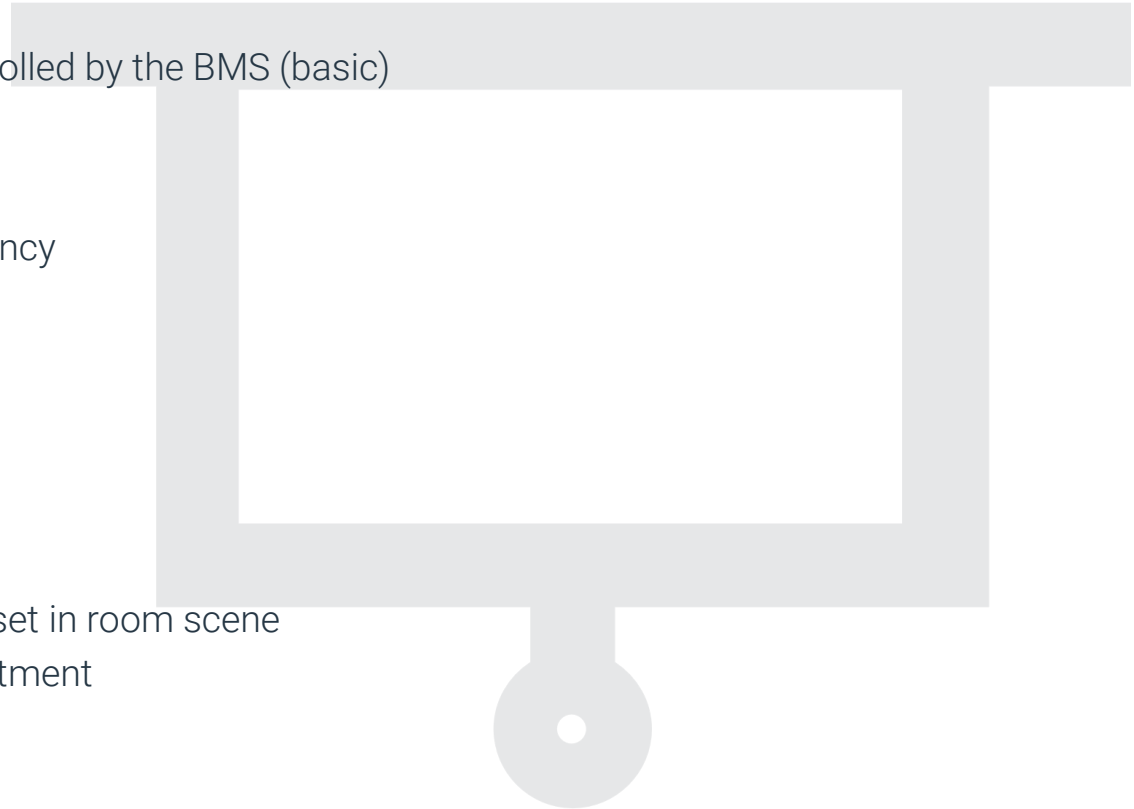
Blind control can be used for

- Roller blinds to reduce glare
- Roller blinds to reduce heat
- Black-out / privacy control
- Projector screens



Different uses for blind control

- Automatic / BMS
 - Blinds set to open / close at prescribed time, controlled by the BMS (basic)
- Automatic, with lighting control
 - Open / close behavior tied to the lighting / occupancy
- Audio visual control
 - Eg. AMX / Crestron - button press / scene
- Lighting control panel (LCP) or switch
 - Recall room scene - open / close behavior can be set in room scene
 - Switch press up / down for manual control / adjustment
- PC, individual user control



Industry problems

- Proprietary blind control requires dedicated interfaces
- Audio visual control need interfaces to both blinds and lighting to work
- Lighting control (LCPs) need an interface for blinds to work together

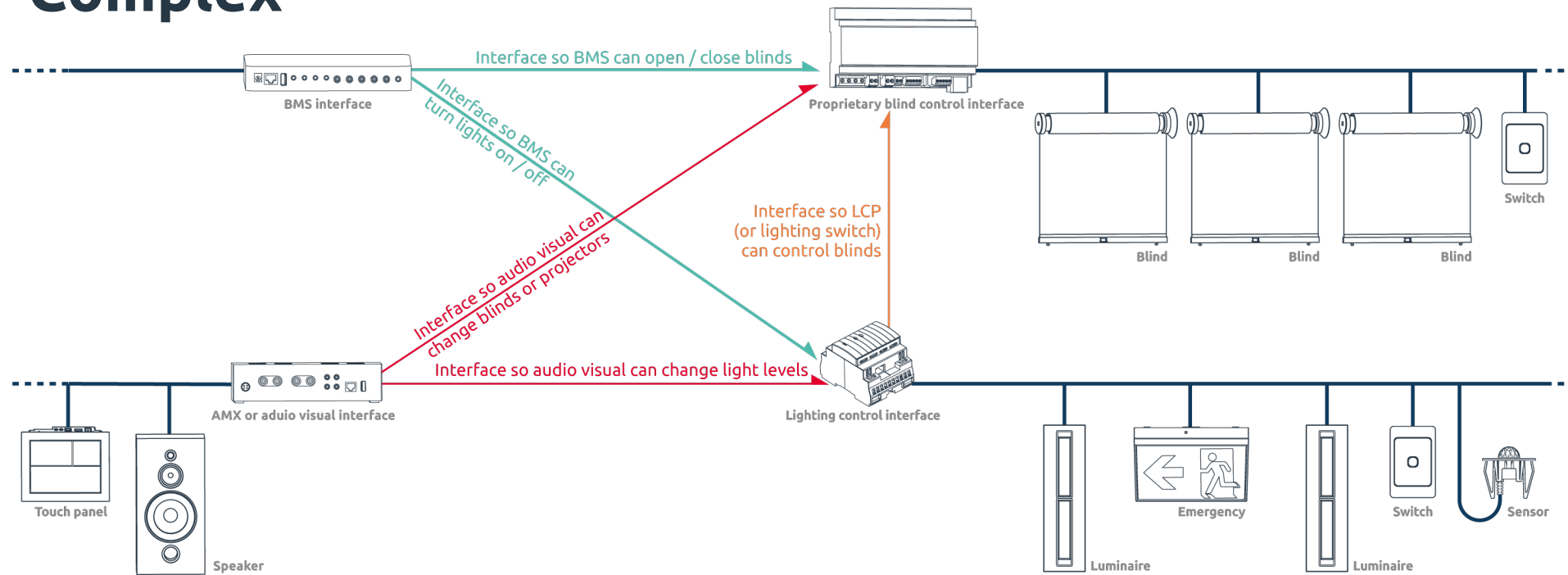


Problems cont.

- For the best user experience, systems are complex and expensive to install as they require multiple interfaces
- Compromises lead to poor or limited control ie.
 - Lighting cannot control blinds
 - Different switches for lights / blinds

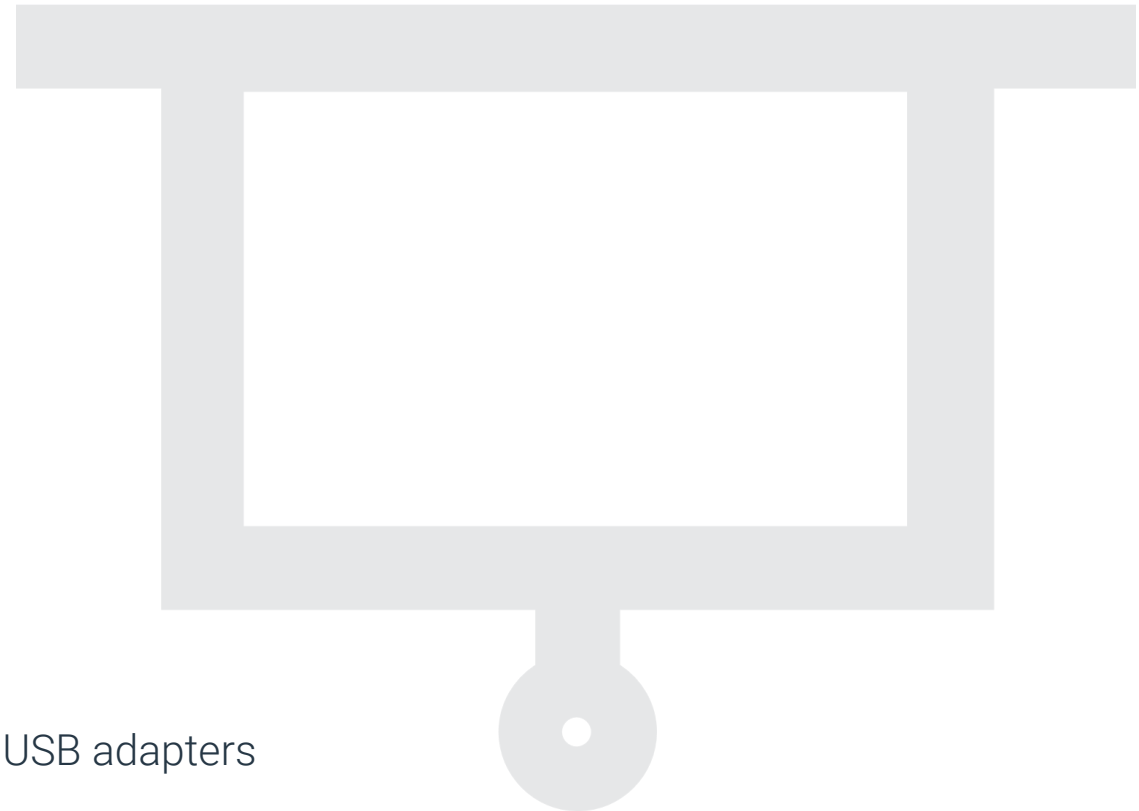


Complex

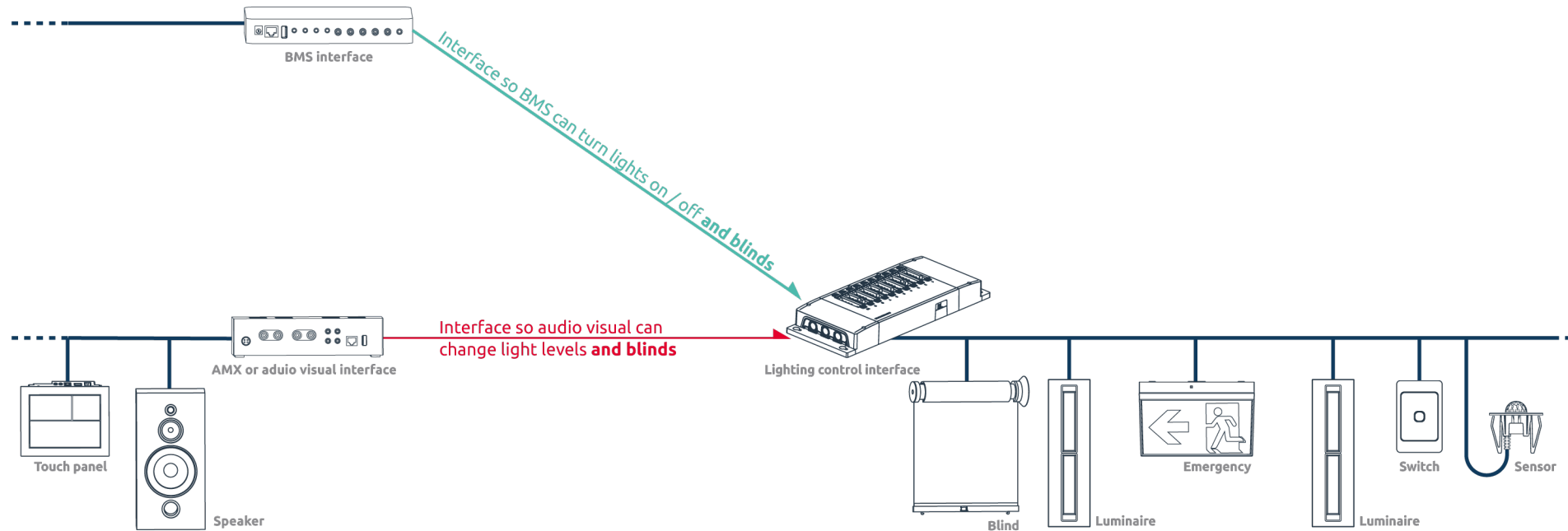


Native DALI blind control

- Allows simple LCP control
 - Scenes / control with lights
 - Up / down control via any switch, profile or sensor
- Easy interface to audio visual or BMS
 - BACnet
 - RS232
- Excellent energy control
 - Lighting / blinds on same system
- Lower cost, single system for blinds and lighting
- Easy per user PC control available via zencontrol USB adapters

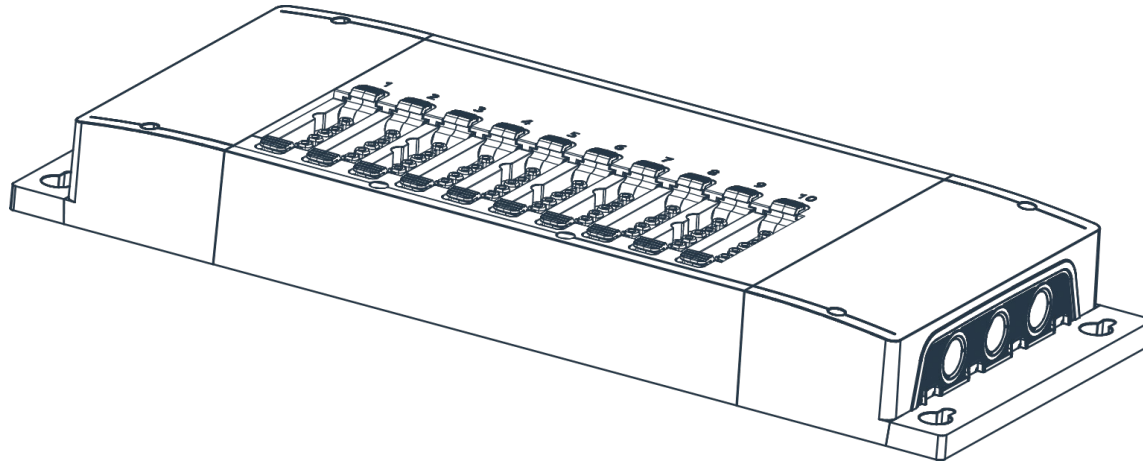


Simple



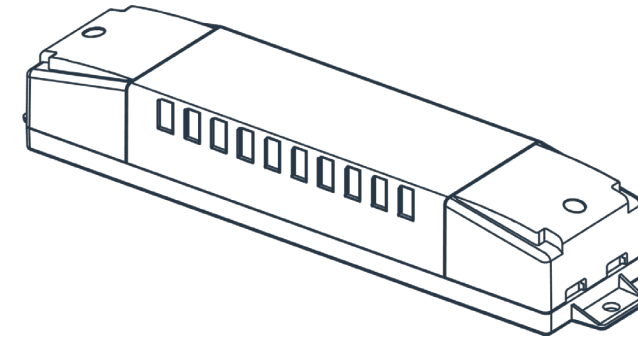
Less complex, less cost, simple to install

zencontrol products



zc-blind

4 Channel field mounted blind control
Setup for blinds out of the box



rm2-blind

Features automatic timings / load sensing
Highly accurate control

