



Features

- 40 W maintained and emergency output
- Mains rated switch / sensor inputs
- Average standby power consumption < 0.25 W
- Supports premium lithium batteries (LiFePO₄)
- Dual output channels for tunable white and long life fittings
- Compliant to Australian and international safety & performance standards



DALI-2

DALI-2 compliant and DALI backwards compatible



Emergency upgrade

Upgrade any luminaire to emergency with a plug-in kit



Plug-in upgrades

Expand capability with presence, lux and IR models



Tunable white

Tunable white, dual output channels support DALI DT-8



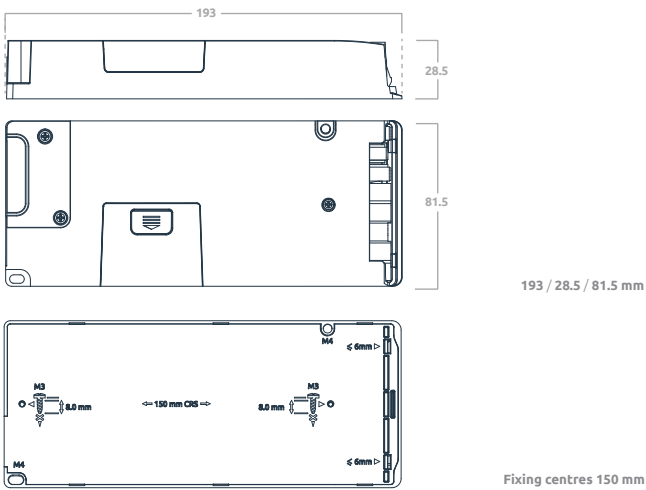
Product range

Order code	Description
zc-driver-40	LED smart driver with soft-wire plug
zc-driver-40-t	LED smart driver with screw-terminal
zc-driver-40-p	LED smart driver with push-terminal

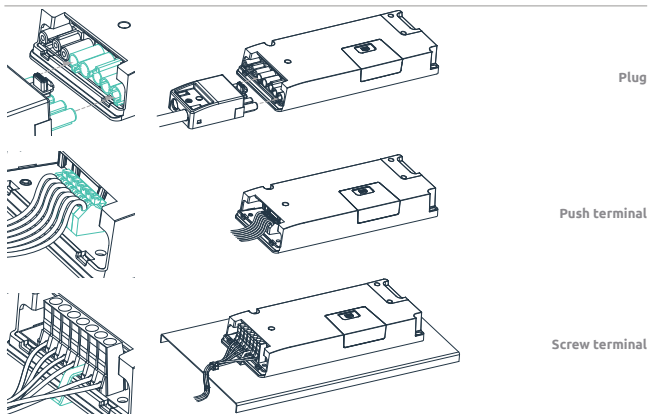
Features

- 40 W maintained and emergency output
- Mains rated switch / sensor inputs
- Average standby power consumption < 0.25 W
- Supports premium lithium batteries (LiFePO₄)
- Dual output channels for tunable white and long life fittings
- Compliant to Australian and international safety & performance standards

Dimensions



Wiring diagram



Specifications

Supply voltage	220 - 240V ~ 50 Hz	
Control system	DALI / DALI-2	
Wiring	Soft-wiring, screw or push-terminal	
Material	PC body	
Operating temperature	0 to 45°C	
Classification	Class II	
Mounting	Inbuilt or separated	
Ingress protection	IP20	
Duration	1 / 2 / 3 hours (dependant on model)	
Battery	Code	zc-batt-1500mah
	Type	LiFePO ₄
	Voltage	6.4 V
Charge	Type	Smart
	Time	16 hours
	Operation	Multi-state
Compliance standards	IEC 61347-1 IEC 61347-2-7 IEC 61347-2-13 AS/NZS 61347-1 AS/NZS 61347-2-13 AS/NZS 2293.3 CISPR 15	

Output power rating

Output voltage	9 - 39 V
Total	40 W
Per channel	0 - 40 W
Emergency operation	Dependant on model

Accessory range

Order code	Description
zc-wifi	Wi-Fi daughterboard upgrade
zc-batt-1500mah	1500 mAh, 2 cell, LiFePO ₄ battery
zc-em-kit	Emergency upgrade kit
zc-pir-5m-p	5 m plug-in PIR and lux sensor
zc-pir-8m-p	8 m plug-in PIR and lux sensor