



Features

- Compatible with DALI and DALI-2
- Suitable for DALI application controller
- Wall and ceiling mountable housing
- 5.8 GHz continuous wave radar, ISM band
- Control based on ambient light and motion detection
- Adjustable motion sensitivity and light-level soft point



DALI

Fully DALI compliant and compatible



Mountable

Wall and ceiling mountable housing



Motion detection

Detection range 360°
max. range 12 m



Dusk detection

Control based on ambient light and motion detection



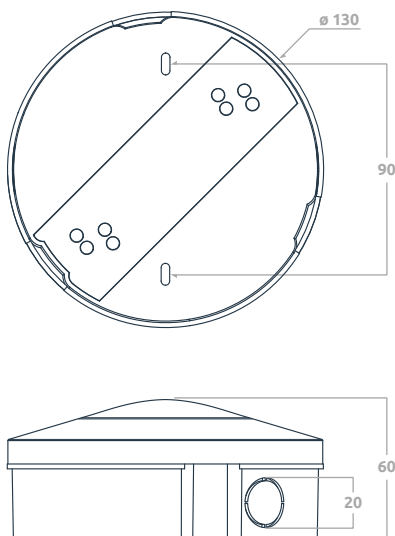
Product range

Order code	Description
zc-mw-sw-sm	Mains rated microwave sensor and DALI switch module with surface mount enclosure

Features

- For use with DALI compliant application controller
- Compliant to DALI IEC 62386-303
- Light control based on ambient light and motion detection
- Surface mounted
- Multiple control devices per line
- Up to 64 devices per DALI line
- Control scenes / groups / actions / events with a zencontrol control system
- Motion can be detected through plastic, glass and thin non-metal materials

Dimensions

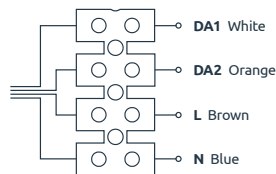


Mounting centres 90 mm

Specifications

Supply voltage	230 V ~ 50 Hz
Input power	0.5 W (standby)
HF system	5.8 GHz ± 75 MHz, ISM wave band < 0.5 mW
Control system	DALI
DALI line current	2.5 mA
Wiring	Terminal block
Operating temperature	0 to 45°C
Material	PC (body)
Ingress protection	IP20
Compliance standards	IEC 61347-2-11 CISPR 15 EN 55015 IEC 62386-301 Ed 2.0 IEC 62386-303

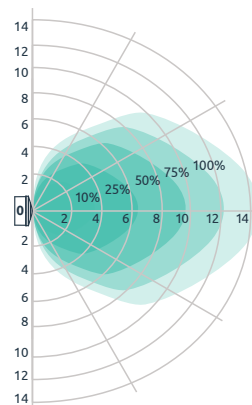
Wiring



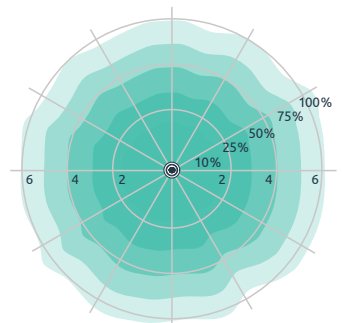
Terminal size 6 mm □

Detection pattern

Detection zone	Range ϕ	Height
Max.	12 m	6 m



Suggested wall installation height 1.5 m



Suggested ceiling installation height 3 m

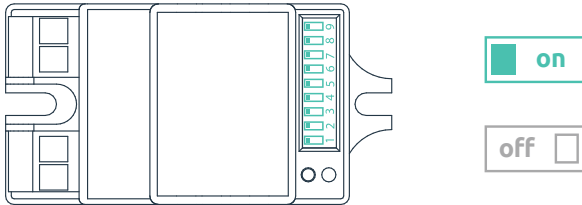
Configuration

By selecting the combination on the DIP switch, sensor data can be precisely set for each specific application.

Daylight The lamp works always, even during daylight

Twilight The lamp works only in twilight and darkness

Darkness The lamp works only in darkness



1	2	3	Range	
<input checked="" type="checkbox"/>	<input checked="" type="checkbox"/>	<input checked="" type="checkbox"/>	100% (default)	Detection area Detection area can be reduced by selecting the combination on the DIP switches to fit precisely each application
<input type="checkbox"/>	<input checked="" type="checkbox"/>	<input checked="" type="checkbox"/>	75%	
<input checked="" type="checkbox"/>	<input type="checkbox"/>	<input checked="" type="checkbox"/>	50%	
<input type="checkbox"/>	<input type="checkbox"/>	<input checked="" type="checkbox"/>	25%	
<input type="checkbox"/>	<input type="checkbox"/>	<input type="checkbox"/>	10%	
4	5	6	Hold time	Hold time Refers to the time period the lamp remains at 100% illumination after no motion detected
<input checked="" type="checkbox"/>	<input checked="" type="checkbox"/>	<input checked="" type="checkbox"/>	5 sec (walk test mode)	
<input type="checkbox"/>	<input checked="" type="checkbox"/>	<input checked="" type="checkbox"/>	30 sec	
<input checked="" type="checkbox"/>	<input type="checkbox"/>	<input checked="" type="checkbox"/>	90 sec	
<input type="checkbox"/>	<input type="checkbox"/>	<input checked="" type="checkbox"/>	3 min (default)	
<input checked="" type="checkbox"/>	<input checked="" type="checkbox"/>	<input type="checkbox"/>	20 min	
<input type="checkbox"/>	<input type="checkbox"/>	<input type="checkbox"/>	30 min	
7	8	9	Lux operation	Daylight sensor The sensor can be set to only allow the lamp to illuminate below a defined ambient brightness threshold
<input checked="" type="checkbox"/>	<input checked="" type="checkbox"/>	<input checked="" type="checkbox"/>	2 lx darkness operation only	
<input checked="" type="checkbox"/>	<input checked="" type="checkbox"/>	<input type="checkbox"/>	10 lx darkness operation only	
<input type="checkbox"/>	<input checked="" type="checkbox"/>	<input type="checkbox"/>	25 lx twilight operation	
<input checked="" type="checkbox"/>	<input type="checkbox"/>	<input type="checkbox"/>	50 lx twilight operation	
<input type="checkbox"/>	<input type="checkbox"/>	<input type="checkbox"/>	Daylight sensor disabled (default)	

Accessories range

For cordsets see datasheets at zencontrol.com/downloads

Notice

- The switch must not be connected to any mains. It is powered directly from the DALI line.
- The DALI line is not SELV. It must be treated like LV mains and treated with the same precautions and wiring regulations.