**Features**

- Plug-in expansion for Smart driver range
- Functions as IEC62386-303 occupancy sensor
- Functions as IEC62386-304 light level sensor
- Light control based on ambient light and motion detection
- Adds < 50 mW additional power consumption to zencontrol driver
- No additional DALI line current

**More devices**

Uses no additional DALI line current

**Motion detection**

Detection range 360°  
max. range 10 m

**Integrated**

Ideal for an inbuilt sensor-per-batten solution

**IR**

Inbuilt IR for commissioning and custom controls



## Product range

Order code	Description
zc-mw-p	Microwave and lux sensor, with IR expansion kit for zc-smart-driver*

### Features

- Plug-in expansion for Smart driver range\*
- Functions as IEC62386-303 occupancy sensor
- Functions as IEC62386-304 light level sensor
- Ideal for built-in sensor and light batten solutions
- Inbuilt IR for commissioning and custom controls
- Light control based on ambient light and motion detection
- Adds < 50 mW additional power consumption to zencontrol driver
- No additional DALI line current

## Kit content

Microwave and lux sensor, with IR expansion kit for zc-smart-driver\*

RJ12 connection cable, 900 mm

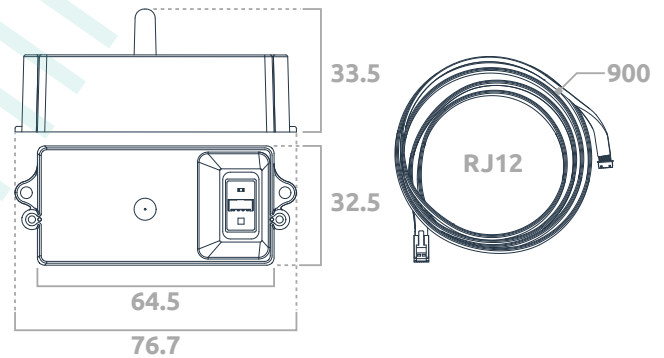
## Supported models\*

Order code	Description
zc-smart-driver-40	40 W DALI Smart driver, with software plug
zc-smart-driver-40-t	40 W DALI Smart driver, with screw terminal
zc-smart-driver-40-p	40 W DALI Smart driver, with push terminal
zc-smart-driver-em-40	40 W DALI Smart driver with emergency, software plug
zc-smart-driver-em-40-t	40 W DALI Smart driver with emergency, screw-terminal
zc-smart-driver-em-40-p	40 W DALI Smart driver with emergency, push-terminal
zc-smart-driver-em-40-au	40 W DALI Smart driver with emergency, 90 min, software plug
zc-smart-driver-em-40-au-t	40 W DALI Smart driver with emergency, 90 min, screw-terminal

## Specifications

<b>Supply</b>	Powered from zc-smart-driver*
<b>Operating power</b>	40 mW
<b>Sensors</b>	Microwave, ambient light, colour, IR
<b>Frequency</b>	5.8 GHz
<b>Radiated power (EIRP)</b>	0.2 mW
<b>Wiring</b>	Plug-in loom
<b>Material</b>	PC (body)
<b>Mounting</b>	Inbuilt
<b>Operating temperature</b>	0 to 45°C
<b>Ingress protection</b>	IP20
<b>Compliance standards</b>	IEC 61347-2-11 CISPR 15 EN 55015 IEC 62386-303 IEC 62386-304

## Dimensions (mm)



## Accessory range

Order code	Description
zc-ir-ctrl	Hand-held infrared control unit
zc-ir-ctrl-com	Hand-held infrared control and commissioning unit