



Features

- 10 years design life
- Non-maintained operation
- Premium Lithium batteries (LiFePO₄)
- Includes automatic and manual test facility
- Suitable for LED arrays of 10-50 V or 50-250 V
- Low profile form factor for luminaire installation
- Compliant to Australian and international safety and performance standards
- Adjustable constant power emergency output 1.5W, 2.5W, 3.5W (50 version) or 2.5W, 3.5W, 4.5W (250 version)



Selectable power

Adjustable constant power emergency output



Selectable rated duration

Adjustable rated duration of 1hr, 2hrs and 3hrs



Lithium powered

Supports environmentally friendly LiFePO₄ battery



Device type 1

Functions as IEC 62386-202 device for monitoring and testing



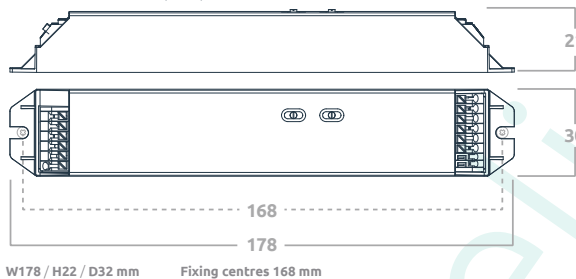
Product range

Order code	Description
zc-em-smart-50	Smart emergency converter, 10V - 50 V LED
zc-em-smart-250	Smart emergency converter, 50V - 250 V LED

Features

- 10 years design life
- Non-maintained operation
- Premium Lithium batteries (LiFePO₄)
- Includes automatic and manual test facility
- Suitable for LED arrays of 10 - 50 V or 50 - 250 V
- Compliant to Australian and international safety and performance standards
- Adjustable rated duration of 1hr, 2hrs and 3hrs
- Adjustable constant power emergency output 1.5W, 2.5W, 3.5W (50 version) or 2.5W, 3.5W, 4.5W (250 version)
- Functions as IEC 62386-202 device for monitoring and testing
- Low profile form factor for luminaire installation

Dimensions (mm)



Specifications

Supply voltage	220 - 240V ~ 50 Hz
Mains surge capability between	
L - N	1 kV
L / N - PE	2 kV
U-out (incl. open-/short-circuit)	
zc-em-smart-50	60 V
zc-em-smart-250	290 V
Wiring	Push-in terminals
Material	PC body
Operating temperature	-25 °C to +55 °C
Classification	Class II
Mounting	Built-in
Ingress protection	IP20
Lifetime	Up to 100,000 hrs

Emergency specifications

Mains voltage changeover threshold	According to EN 60598-2-22	
Emergency mode changeover	< 0.5 s from detection of emergency event	
Emergency output*	zc-em-smart-50	1.5 / 2.5 / 3.5 W
	zc-em-smart-250	2.5 / 3.5 / 4.5 W
Rated duration*	1hr / 2hr / 3hr	
Testing	Function	Weekly 5s test
	Duration*	Yearly 1hr / 2hr / 3hr test
Compliance standards	IEC 61347-1 IEC 61347-2-7 AS/NZS 61347-1 AS/NZS 2293.3 IEC 62386 - 202 IEC 62034 CISPR 15	
Charger	Type	Variable
	Time	16 hours
Batteries:	Type	LiFePO ₄
zc-batt-1500-1x1		
zc-batt-2000-1x2		
zc-batt-3000-1x2		
zc-batt-6000-1x2		
zc-batt-9000-1x3		
zc-batt-12000-1x4		
zc-batt-15000-1x5		
Other battery configurations available upon request		*Selectable via dip switch

zc-em-smart-50

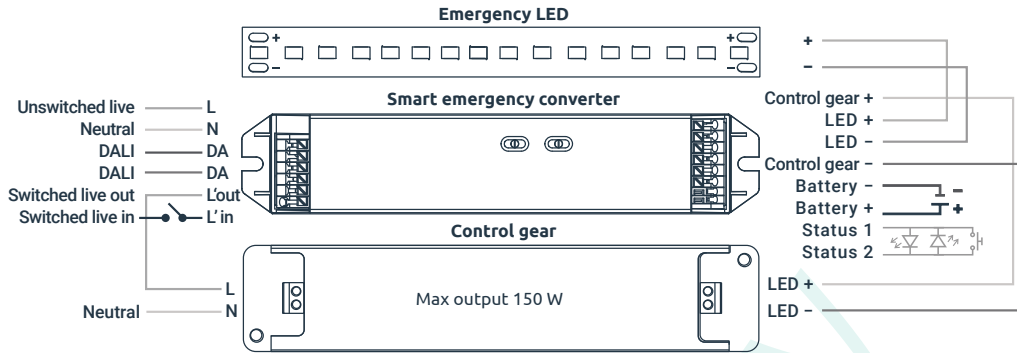
Design life	5 Years			10 Years		
	Battery code	1hr	2hrs	3hrs	1hr	2hrs
zc-batt-1500-1x1	1.5 W					
zc-batt-2000-1x2	2.5 W 3.5 W	1.5 W		1.5 W		
zc-batt-3000-1x2		2.5 W	1.5 W	2.5 W		
zc-batt-6000-1x2		3.5 W	2.5 W 3.5 W	3.5 W	1.5 W 2.5 W	1.5 W
zc-batt-9000-1x3					3.5 W	2.5 W
zc-batt-12000-1x4						3.5 W

zc-em-smart-250

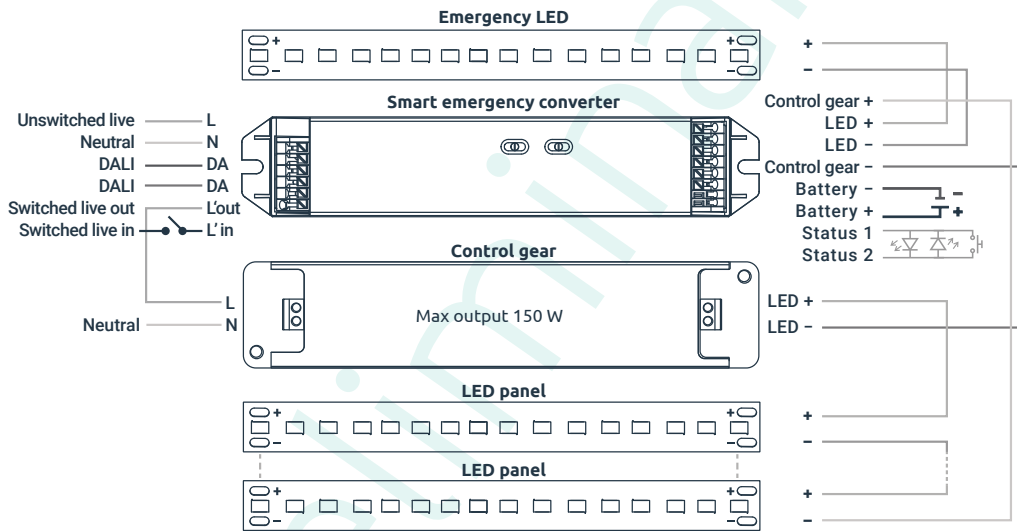
Design life	5 Years			10 Years		
	Battery code	1hr	2hrs	3hrs	1hr	2hrs
zc-batt-2000-1x2	2.5 W 3.5 W					
zc-batt-3000-1x2	4.5 W	2.5 W		2.5 W		
zc-batt-6000-1x2		3.5 W	2.5 W 4.5 W	3.5 W	2.5 W 4.5 W	
zc-batt-9000-1x3			4.5 W		3.5 W	2.5 W
zc-batt-12000-1x4					4.5 W	3.5 W
zc-batt-15000-1x5						4.5 W

Wiring diagrams

zc-em-smart configured with external LED driver for maintained mode in addition to emergency mode



zc-em-smart configured with external LED driver supplying series wired maintained LED panels with emergency panel.



zc-em-smart configured with external LED driver powering LED panels in parallel in maintained operation with emergency support.

