

**Features**

- Control based on ambient light and motion detection
- Optional external recessed and surface mounts available
- No additional DALI line current
- Registers on DALI network as fully DALI compliant input device
- Adds < 50 mW additional power consumption to zencontrol driver

**No DALI line current**

The driver uses no additional DALI current

**Motion detection**

Detection range 360°
max. range 8 m

**Device per fitting**

Connect a sensor to every zencontrol smart driver

**Lux and PIR**

Passive Infra Red and lux sensor



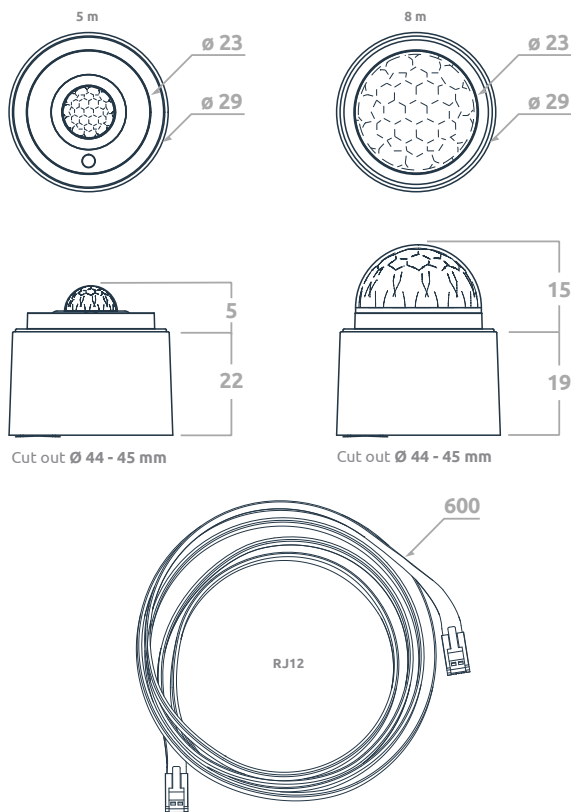
Product range

Order code	Description
zc-pir-5m-p	5 m plug-in PIR & lux sensor
zc-pir-8m-p	8 m plug-in PIR & lux sensor

Features

- Control based on ambient light and motion detection
- Optional external recessed and surface mounts available
- No additional DALI line current
- Registers on DALI network as fully DALI compliant input device
- Adds < 50 mW additional power consumption to zencontrol driver

Dimensions



Kit content

Order code	Description
zc-pir-5m-p / -8m-p	5 m or 8 m plug-in PIR & lux sensor
N / A	RJ12 connection cable, 600 mm

Specifications

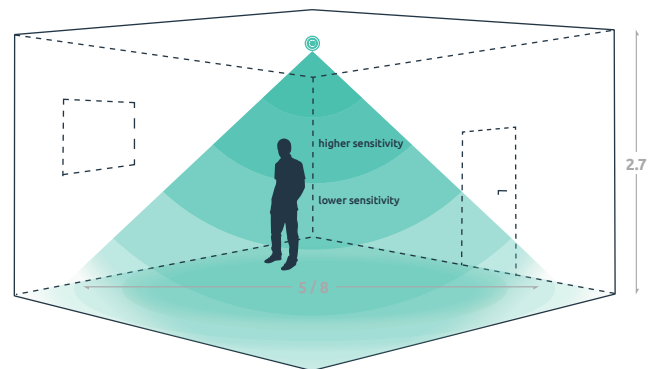
Supply	Powered from driver
Operating power	40 mW
Lens	Fresnel
Sensors	PIR, ambient light, colour
Wiring	Plug-in loom
Operating temperature	0 to 45°C
Material	PC (body)
Ingress protection	IP20
Compliance standards	IEC 61347-2-11 CISPR 15 EN 55015 IEC 62386-303 IEC 62386-304

Usage

Ambient light level sensing Measurements between 0 - 10,000 Lux

Detection pattern

Order code	Range ϕ	Height
zc-pir-5m-p	5 m	2.7 m
zc-pir-8m-p	8 m	2.7 m



Accessory range

Order code	Description
zc-pir-sm-kit	PIR sensor surface mount kit
zc-pir-rs-kit	PIR sensor recessed mount kit
zc-pir-cd-kit	PIR sensor conduit mount kit