

### Features

- Wireless bridge
- Powered from DALI line
- Smart sensor and switch attachments
- Compact form factor for easy integration
- Wireless support for IEC62386-104 over Thread®
- Works with DALI-2 devices and gear



### Converts luminaires

Converts DALI luminaires to wireless smart luminaires



### IEC62386-104 over Thread®

Works with products supporting IEC 62386-104 over Thread®



### Converts inputs

Converts DALI-2 input devices into a wireless input devices



### Compatible

Wireless control system solution for D4i drivers



## Product range

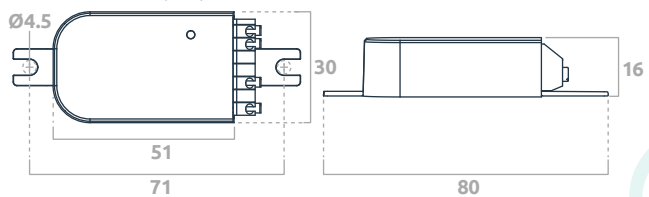
Order code	Description
<b>zc-iot-bridge</b>	Wireless bridge
<b>zc-iot-bridge-oem</b>	Wireless bridge for OEM*

### Features

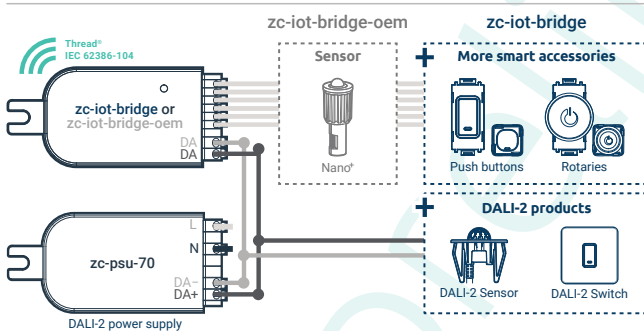
- Powered from DALI line
- Protected against DALI over-voltage
- Supports IEC 62386-104 over Thread®
- Smart sensor and switch attachments
- Compact form factor for easy integration
- Compatible with DALI and DALI-2 devices
- A wireless control system solution for D4i
- Converts DALI ECGs and ECDs to a wireless system

\*OEM model supports zc-pir-nano+ sensor only, this incl. PIR/lux/IR/ and wireless connectivity.

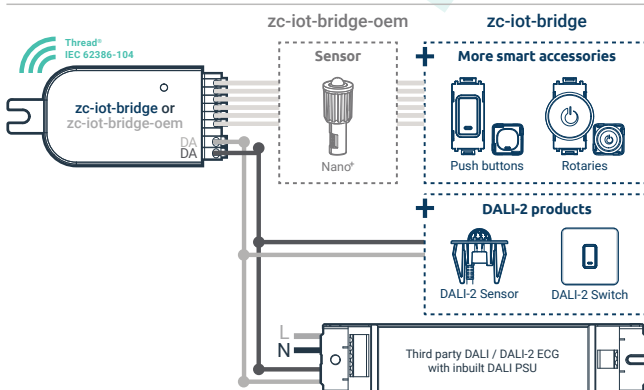
## Dimensions (mm)



## Wiring: Wireless sensor / switch / smart accessory



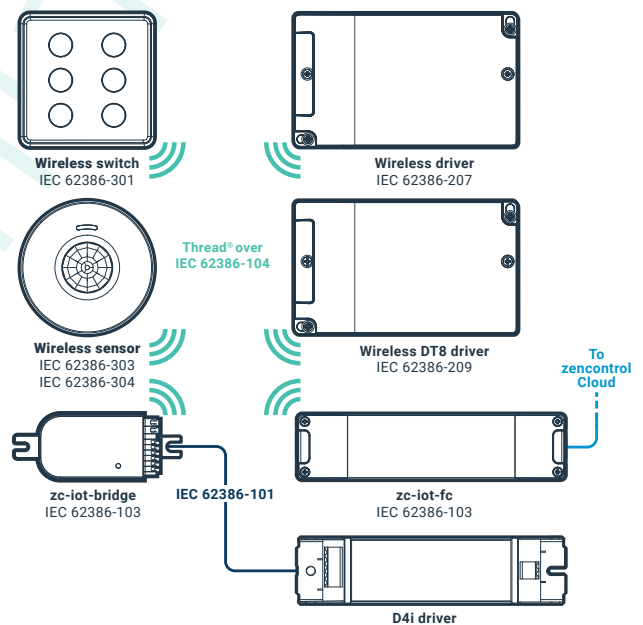
## Wiring: Wireless smart luminaire



## Specifications

<b>Supply voltage</b>	9.5 - 22.5 V (DALI line)	
<b>Control system</b>	IEC62386-104 over Thread®	
<b>DALI line current</b>	40 mA	
<b>Wiring</b>	0.2 - 1.5 mm <sup>2</sup> (DALI) 0.2 - 0.5 mm <sup>2</sup> (accessories) Strip 8 - 9 mm	
<b>Operating temperature</b>	0 to 60°C	
<b>Material</b>	PC	
<b>Classification</b>	Class II	
<b>Mounting</b>	Inbuilt	
<b>Ingress protection</b>	IP20	
<b>Compliance standards</b>	IEC 61347-2-11 IEC 60950-1 EN 55015 EN 55022	IEC 62386-104 IEC 62386-103 EMC-2004/108/EC LVD-2006/95/EC

## Wireless system overview



## Accessories range

Order code	Description
<b>zc-fm-kit</b>	Field mount kit
<b>zc-pir-nano+</b>	PIR Nano+ sensor, accessory kit
<b>zc-rotary-kit</b>	Rotary 20 x 20 mm, accessory kit
<b>zc-rotary-2550-kit</b>	Rotary 25 x 50 mm, accessory kit
<b>zc-rotary-2550-b-kit</b>	Black rotary 25 x 50 mm, accessory kit
<b>zc-pbs-2020-kit</b>	Illuminated pushbutton switch 20 x 20 mm, accessory kit
<b>zc-pbs-2550-wh-kit</b>	Illuminated pushbutton switch 25 x 50 mm, white, accessory kit
<b>zc-pbs-2550-st-kit</b>	Illuminated pushbutton switch 25 x 50 mm, stainless brushed, accessory kit