



Features

- Plug-in expansion for zencontrol Smart driver and IoT bridge
- Adds < 50 mW additional power consumption to zencontrol hardware
- Functions as IEC62386-303 occupancy sensor
- Functions as IEC62386-304 light level sensor
- Uses no additional DALI line current
- Easy mounting in 16mm \varnothing cut-out
- 100,000 hr Design life



More devices

Uses no additional DALI line current



Motion detection

Detection range 360°
max. range 5 m



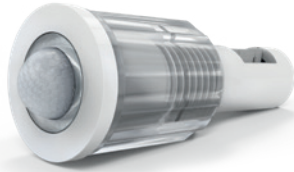
Integrated

Ideal for an inbuilt sensor-per-fitting solution



IR

Inbuilt IR for commissioning and custom controls



Product range

Order code	Description
zc-pir-nano+	5 m, PIR and lux sensor, with IR expansion kit, nano form factor, fly-lead
zc-pir-nano+p	5 m, PIR and lux sensor, with IR expansion kit, nano form factor, RJ12 connection cable

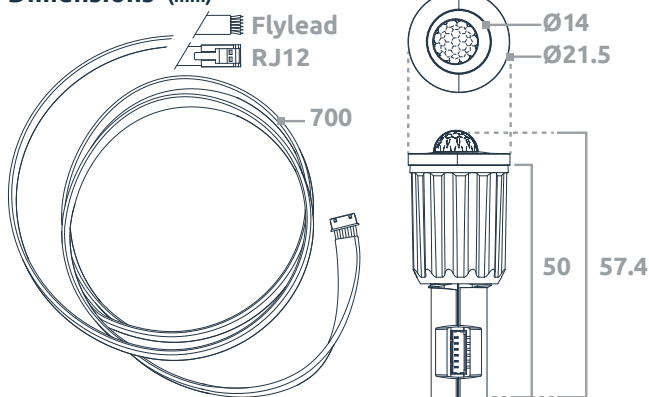
Features

- Expansion for zc-iot-bridge, zc-switch-pro and zc-smart-driver-40
- Functions as IEC62386-303 occupancy sensor
- Functions as IEC62386-304 light level sensor
- Ideal for built-in sensor and light fitting solutions
- Support for up to 64 control devices per DALI line
- Inbuilt IR for commissioning and custom controls
- Light control based on ambient light and motion detection
- Adds < 50 mW additional power consumption to zencontrol driver
- Available as surface and recessed mount
- Uses no additional DALI line current
- Easy mounting in 16mm Ø cut-out
- 100,000 hr Design life

Kit content

Order code	Cable	Sensor
zc-pir-nano+	Fly-lead connection cable, 700 mm	5 m, PIR and lux sensor, with IR expansion kit, nano form factor
zc-pir-nano+p	RJ12 connection cable, 700 mm	

Dimensions (mm)



Supported models

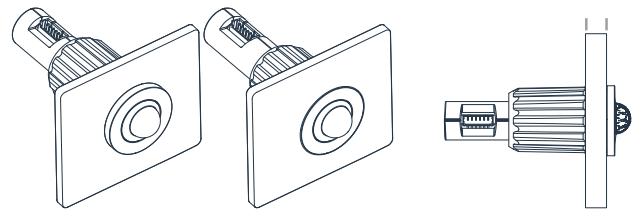
Model	Order code	Description
zc-pir-nano+	zc-iot-bridge	Wireless bridge
	zc-switch-pro	Switch Pro module
zc-pir-nano+p	zc-smart-driver-40 range	40 W DALI Smart driver

Specifications

Supply	Powered from zencontrol compatible
Operating power	40 mW
Lens	Fresnel
Sensor	PIR, ambient light, colour, IR
Wiring	Plug-in loom / fly-lead
Material	PC (body)
Mounting	Surface / recessed
Operating temperature	0 to 45°C
Ingress protection	IP20
Compliance standards	IEC 61347-2-11 CISPR 15 EN 55015 IEC 62386-303 (with zencontrol compatible device) IEC 62386-304 (with zencontrol compatible device)

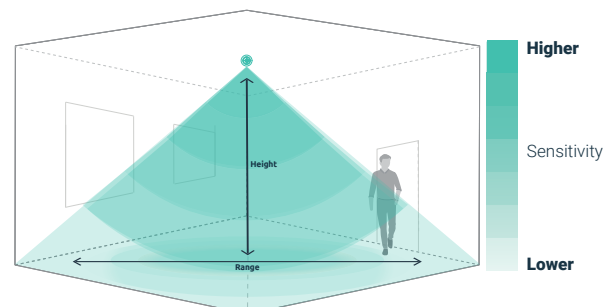
Mounting

Surface	Recessed	Wall thickness
Cut out Ø 16 mm	Cut out Ø 22 mm	Max 8 mm / min 0



Detection pattern

Range Ø	Height
5 m	2.7 m



Accessory range

Order code	Description
zc-ir-ctrl	Hand-held infrared control unit
zc-ir-ctrl-com	Hand-held infrared control and commissioning unit