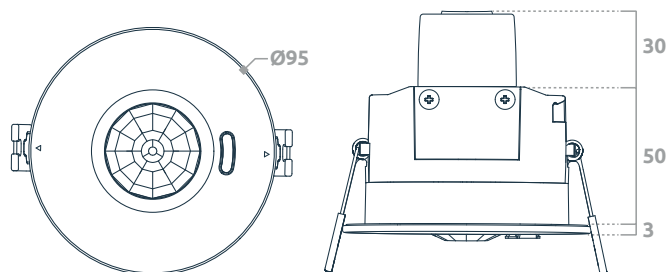


Dimensions

Mounting (kits sold separately)	Recessed (cut-out min Ø83 mm)
	Wall mount kit (mounting centres 85 mm)
	Surface mount kit
	Rod mount kit
	Conduit mount kit (mounting centres 50-60 mm)

Dimensions Ø95 / 83 mm



Safety information

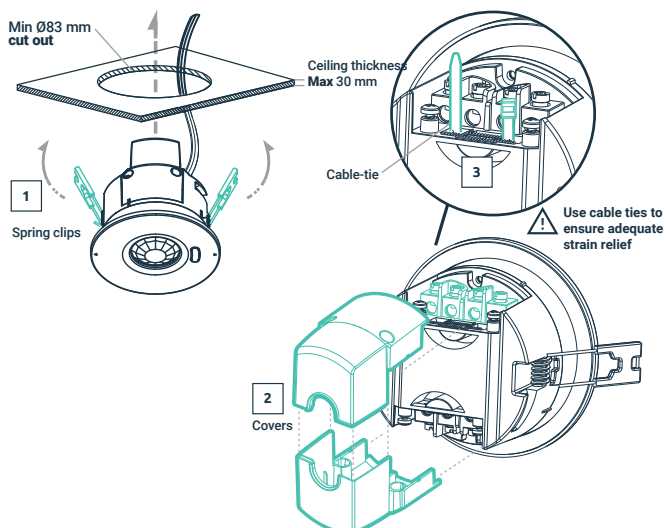
- This product must only be installed by a licensed electrician.
- Before commencing installation turn off and isolate the electrical supply.
- There are no user serviceable parts, attempting to service any part of the product will void the warranty
- DALI is not SELV and as such should be treated as LV.
- As the installer, it is your responsibility to ensure you comply to all relevant building and safety codes. Refer to applicable standards for the relevant rules.
- When the installation is complete, leave this manual with the building's owner for future reference.

Installation

Remove the product from the box and inspect it for any damage. If you believe the product to be damaged or otherwise unsound, **do not** install the product. Please return it to the place of purchase for replacement.

If the product is satisfactory, proceed with the installation:

- 1 Choose a location considering the conditions listed in the **detection pattern** section.
- 2 Drill mounting hole in desired position using 83 mm hole saw.
- 3 Push the spring clips in as per **fig 1**. Insert sensor into the desired position and the spring clips will automatically release, ensuring that the sensor is secure and flush up against the ceiling.
- 4 Remove covers, as per **fig 2**, and wire per diagrams overleaf. Ensure wiring is secured using included cable-ties, per **fig 3**.



Product range

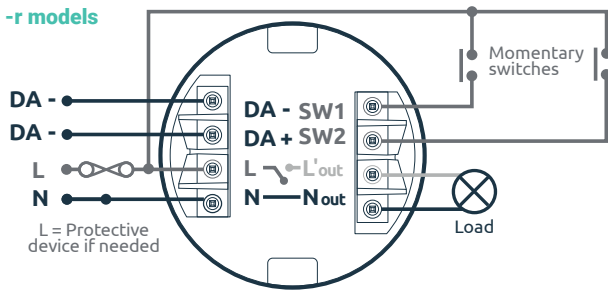
Order code	Description
zc-pir-iot-da	PIR smart sensor 8m with DALI psu
zc-pir-iot-da-r	PIR smart sensor 8m, with inbuilt relay and DALI psu
zc-pir-iot-da-vf	PIR smart sensor 8m, with inbuilt volt-free relay and DALI psu
zc-pir-iot-da-2sw-r	PIR smart sensor 8m, with inbuilt relay, two switches and DALI psu
zc-pir-iot-da-2sw-vf	PIR smart sensor 8m, with inbuilt volt-free relay, two switches and DALI psu
zc-pir-da	PIR smart sensor 8m
zc-pir-da-r	PIR smart sensor 8m, with inbuilt relay
zc-pir-da-vf	PIR smart sensor 8m, with inbuilt volt-free relay
zc-pir-da-2sw-r	PIR smart sensor 8m, with inbuilt relay and two switches
zc-pir-da-2sw-vf	PIR smart sensor 8m, with inbuilt volt-free relay and two switches

Specifications

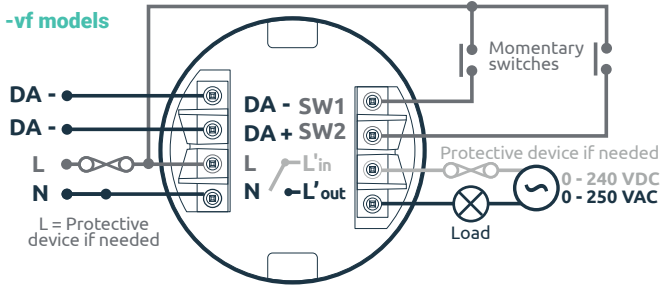
Supply	220 - 240 V ~50 Hz
Supply current	< 0.1 A
Wireless (-iot models)	IEC62386-104 over Thread
DALI output (-iot models)	16.5 V dc, 35mA
Relay output (-r models)	165 A / 20 ms inrush current 492 A / 1.5 ms LED inrush current 10 A capacitive ⚡ 10 A inductive ⚡ 10 A resistive ⚡
Output load rating AC (-vf models)	10 A resistive ⚡ 6 A inductive ⚡
Output load rating DC (-vf models)	0 - 25 V 3 A resistive ⚡ 25 - 240 V 200 mA resistive ⚡
Radio support	IEEE 802.15.4
Lens	Fresnel
Sensors	PIR, lux
Wiring (iot models)	2.5 mm ² cable (no earth, suits round and tps)
Operating temperature	-10 to 55°C
Material	PC (body)
Ingress protection	IP54 (front-face only) IP65 (with surface or wall mount kit)

Wiring

-r models



-vf models



Programming & default standalone configuration

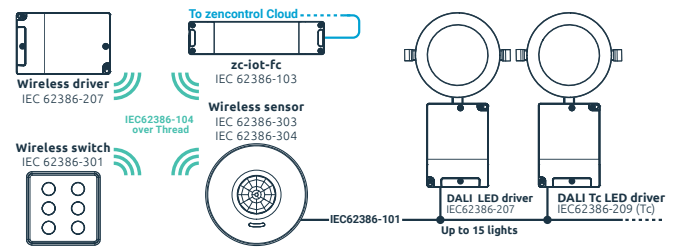
Sensor mode	Presence mode. The sensor will automatically turn lights on when movement is detected.
Sensor idle-time	14 minutes after the last presence was detected
Sensor warn-time	Light is switched off after 1 minute with no movement detected.
Sensor warn-level	Lights are dimmed to 1 % after the idle-time has expired.
SW1 mode	Dimmer, short press toggle on/off, long press toggle up/down.
SW2 mode	Colour dimmer, long press toggle step cooler/step warmer

Standalone mode is automatically disabled after addressing either the ECD / ECG short address via IEC62386-104 or setting the ECD operating mode to 0.

Glossary

PB	IEC62836-301 – Input devices – Push buttons
ABS	IEC62836-302 – Input devices – Absolute input devices
OCC	IEC62836-303 – Input devices – Occupancy sensor
Lux	IEC62836-304 – Input devices – Light sensor

System overview

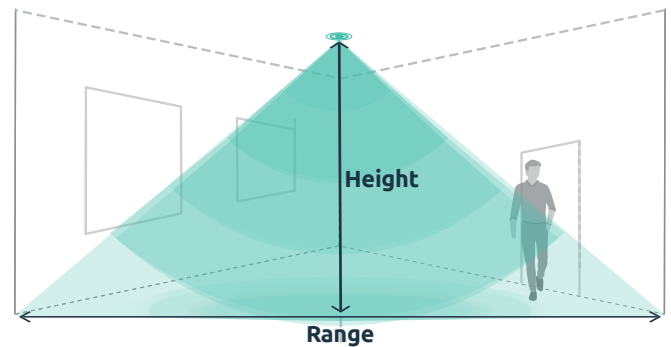


Note The zc-pir-iot-da smart sensor supplies 35 mA of DALI current and does not require external DALI power supply. When used with zc-iot-fc the device will act as a bridge between IEC62386-104 to IEC62386-101.

Detection pattern

Mounting height	2 - 12 m	Range ø	8 m (mounted at 2.7 m)
------------------------	----------	----------------	------------------------

- The units detection range may alter with changes in ambient temperature.
- Position sensor so that movement occurs across the scan area. Detection range will be reduced when walking directly towards or away from the sensor.
- Do not direct sensor at reflective surfaces or variable heat sources.
- Do not aim sensor directly at the sun, this may cause damage to the PIR sensor.



Accessory range

Order code	Description
zc-smart-wall-kit	Smart sensor wall mount kit
zc-smart-sm-kit	Smart sensor surface mount kit, for surface, rod, conduit mount
zc-rodmount-wht	Rod mount kit, white, for with Smart sensor surface mount kit

Model	ECG	Device type	ECD operating mode	Number of instances	Instance type				
					Instance 0	Instance 1	Instance 2	Instance 3	Instance 4
zc-pir-iot-da	0	-	0x00 / 0x80	3	3 (OCC)	4 (Lux)	0	-	-
-r / -vf	1	7	0x00 / 0x80	3	3 (OCC)	4 (Lux)	0	-	-
-2sw-r -2sw-vf	1	7	0x00 / 0x80	5	3 (OCC)	4 (Lux)	0	1 (PB)	1 (PB)
			0x81					2 (ABS)	1 (PB)
			0x82					1 (PB)	2 (ABS)
			0x83					2 (ABS)	2 (ABS)