



Product range

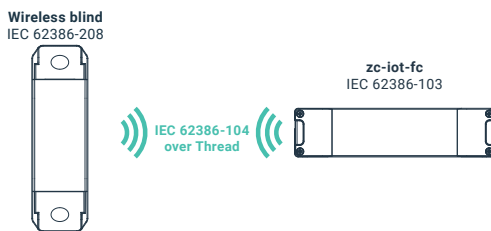
| Order code | Description |
|----------------|-----------------------------------|
| zc-smart-blind | Wired / wireless blind controller |

Features

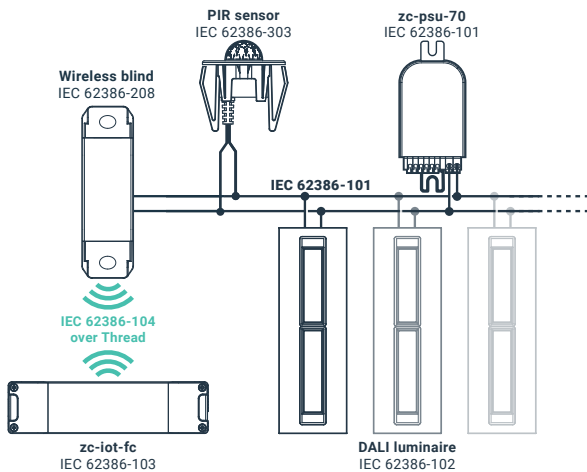
- For use with DALI control system
- Compatible with DALI and DALI-2
- Supports IEC 62386-104 over Thread®
- Compliant to IEC 62386-208
- Protected against DALI over voltage
- DALI device type 7

System overview: modes

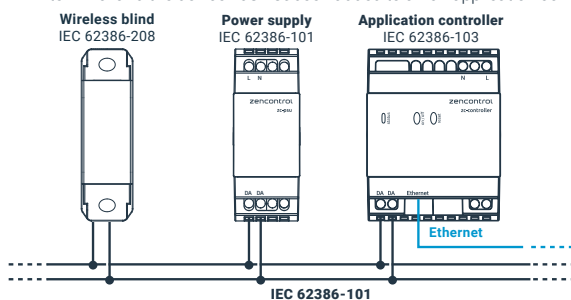
- 104 mode** is enabled after the device has been added to a 104 application controller such as zc-iot-fc.



- 104 + 101** Bridge mode is enabled after the device has been added to a 104 controller and a 101 power supply has been connected to the DALI terminals.



- 101 mode** is enabled after a 101 power supply has been connected to the DALI terminal and the device **has not** been added to a 104 application controller.

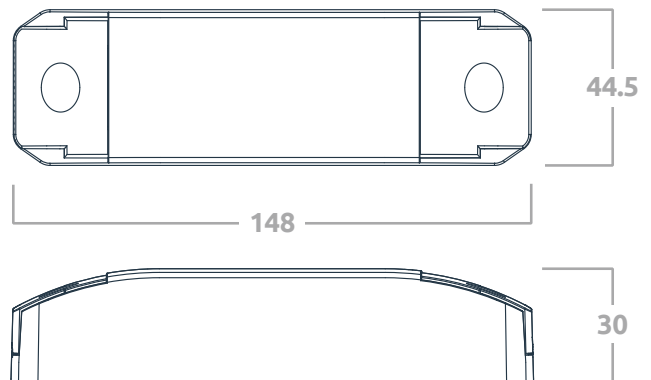


Specifications

| | | |
|-----------------------|--|----------------------------------|
| Supply voltage | 230 V ~ 50 Hz | |
| Control system | Wired DALI-2 Wireless IEC62386-104 over Thread | |
| Radio support | IEEE 802.15.4 | |
| Frequency band | 2.4 GHz | |
| Max radio tx power | +8 dBm | |
| DALI line current | 2 mA | |
| Wiring | 1 - 4 mm ² Strip 6 - 7 mm | |
| Motor control | 375 W / ½ HP 1.6 A inductive load | |
| Operating temperature | 0 to 55°C | |
| Material | PC | |
| Classification | Class II | |
| Mounting | Independently mounted control for surface mounting | |
| Ingress protection | IP20 | |
| Compliance standards | IEC 60669-2-1 IEC 60950-1 IEC 62386-104 IEC 62386-208 | EN 55015 EN 55022 CISPR 15 |

Dimensions

| | |
|----------------|-----------------------|
| Fixing centres | 125 mm |
| Dimensions | W148 / H30 / D44.5 mm |



Wiring

