



### Features

- 2 mA DALI line current
- Up to 63 units per DALI line
- Black and white finishes available
- Tactile knobs for user accessibility
- Customisable LED colour to suit different applications
- Use on wired and wireless DALI networks



### Integrated illumination

Configurable colour LED indicator for feedback/status



### Inbuilt temperature sensor

Wall mount location for improved temperature accuracy



### Wireless interface

App configurable with direct connect to zencontrol mesh



### DALI-2 input

Designed for use with compliant DALI-2 application controllers



## Product range

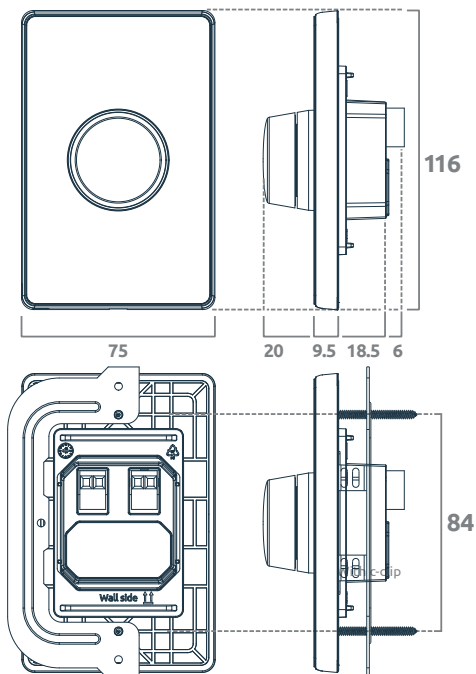
<b>Order code</b>	Description
<b>zc-ss-rot-wht</b>	Smart switch rotary to suit 84 mm wall mount, white
<b>zc-ss-rot-blk</b>	Smart switch rotary to suit 84 mm wall mount, black

## Features

- 2 mA DALI line current
- Up to 63 units per DALI line
- Black and white finishes available
- Tactile knob for user accessibility
- Customisable LED colour to suit different applications
- Use on wired and wireless DALI networks

## Dimensions (mm)

<b>Fixing centres</b>	84 mm	<b>Dimensions</b>	W75 / H117 / D34 mm
-----------------------	-------	-------------------	---------------------



## Notice

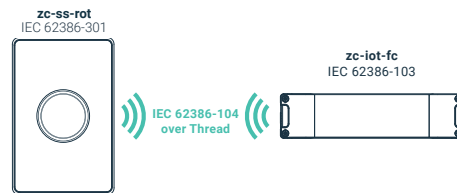
- The DALI line is not SELV. It must be treated like LV mains and treated with the same precautions and wiring regulations.
- This product is not bus powered and requires the 240V supply to be connected.

## Specifications

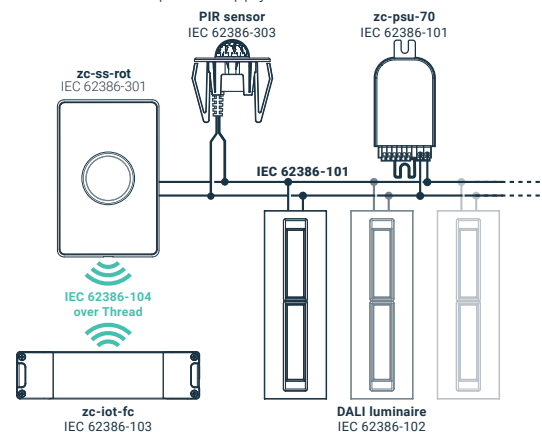
<b>Supply</b>	220 - 240 V~ 50Hz 4mA	
<b>Class</b>	II	
<b>Control system</b>	<b>Wired</b> DALI-2	<b>Wireless</b> IEC62386-104 over Thread
<b>Radio support</b>	IEEE 802.15.4	
<b>Frequency band</b>	2.4 GHz	
<b>Max radio tx power</b>	+8 dBm	
<b>DALI line current</b>	2 mA	
<b>Wiring</b>	0.5 - 2.5 mm <sup>2</sup>	Strip 7 mm
<b>Operating temperature</b>	0 to 55°C	
<b>Material</b>	PC UV stabilised, toughened glass, aluminium	
<b>Ingress protection</b>	IP20	
<b>Compliance standards</b>	IEC 61347-2-11 CISPR 15 IEC 62386-301	EMC-2004/108/EC LVD-2006/95/EC IEC 62386-104

## System overview: modes

**104 mode** is enabled after the device has been added to a 104 application controller such as zc-iot-fc.



**104 + 101 Bridge mode** is enabled after the device has been added to a 104 controller and a 101 power supply has been connected to the DALI terminals.



**101 mode** is enabled after a 101 power supply has been connected to the DALI terminal and the device **has not** been added to a 104 application controller.

