

## Product range

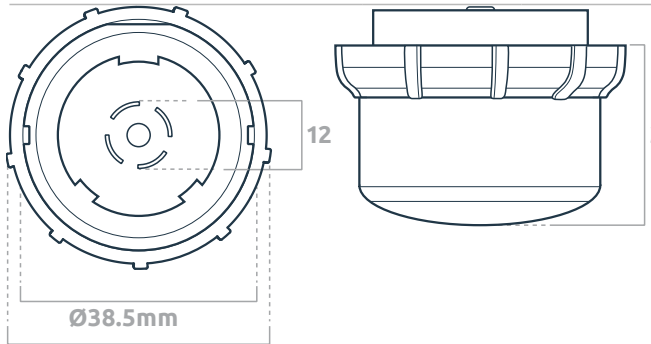
Order code	Description
<b>zc-z10-mw</b>	Zhaga microwave sensor and wireless 0-10V control interface

### Features

- Powered from 12-24Vdc aux supply
- Supports IEC 62386-104 over Thread®
- Inbuilt microwave and light sensor
- Compatible with Zhaga (Book 18)
- A wireless control system solution for 0-10V luminaires
- Standalone configuration with zencontrol express

## Dimensions

**Dimensions** W Ø52 / H36 mm



## Notice

Download the **zencontrol** Android app to configure your device.



**Standalone**  
zencontrol  
Express



**Full control**  
zencontrol  
Commissioning

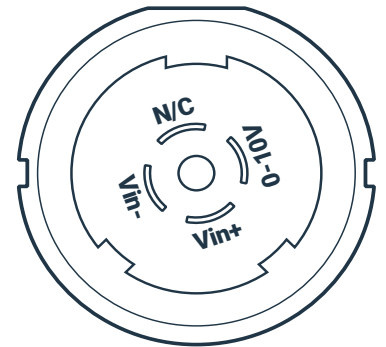
## Specifications

<b>Supply voltage</b>	12-24Vdc	
<b>Supply current</b>	< 50mA	
<b>Control system</b>	IEC62386-104 over Thread®	
<b>Operating temperature</b>	-10 to 55°C	
<b>Material</b>	PC	
<b>Classification</b>	Class III	
<b>Mounting</b>	Zhaga (Book 18) 40mm	
<b>Ingress protection</b>	IP66	
<b>Compliance standards</b>	IEC 61347-2-11	IEC 62386-104
	IEC 60950-1	IEC 62386-103
	EN 55015	EMC-2004/108/EC
	EN 55022	LVD-2006/95/EC

## Wiring

### Pin function

- 1 DC+ (12-24V)
- 2 0-10V Dim- / DC-
- 3 Not used
- 4 0-10V dim+



## Detection pattern

**Mounting height** 2 - 8 m      **Range Ø** 8 m (mounted at 2.7 m)

