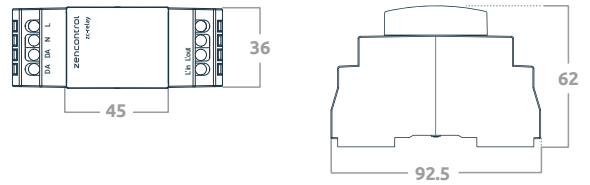


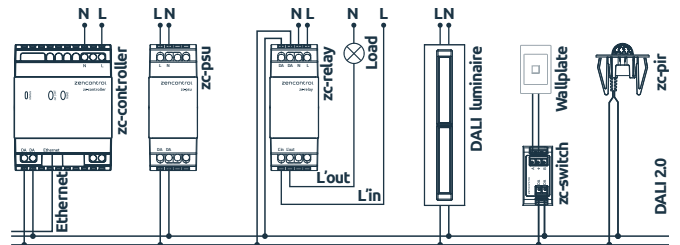
Dimensions

Mounting options DIN rail mount (35 mm)

Dimensions 92.5 / 36 / 62 mm



System overview



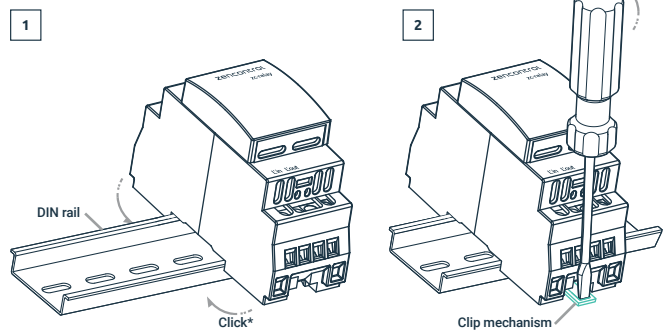
Installation

Remove the product from the box and inspect it for any damage. If you believe the product to be damaged or otherwise unsound, **do not** install the product. Please pack it back into its box and return it to the place of purchase for replacement.

If the product is satisfactory, proceed with the installation:

- 1 Ensure safety warnings are adhered to.
- 2 Mount the DALI relay on DIN rail inside a mains rated enclosure as shown in **fig 1**. To remove from DIN rail, release the clip mechanism with a flat blade screw driver, as per **fig 2**.
- 3 Wire the DALI relay as per the wiring diagram in **fig 3**.

Note each DALI relay must have an appropriate MCB to protect the load circuit.



Safety information

- This product must only be installed by a licensed electrician.
- Before commencing installation turn off and isolate the electrical supply.
- There are no user serviceable parts, attempting to service any part of the product will void the warranty
- DALI is not SELV and as such should be treated as LV.
- As the installer, it is your responsibility to ensure you comply to all relevant building and safety codes. Refer to application standards for the relevant rules.
- When the installation is complete, leave this manual with the building's owner for future reference.

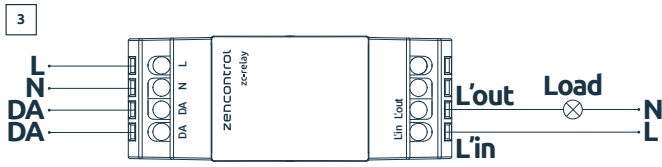
Product range

Order code	Description
zc-relay	DALI volt-free relay, DIN mount

Specifications

Supply voltage	220 - 240 V ~ 50 Hz
Control system	DALI
DALI line current	2 mA
Relay type	Non-latching normally open
Output type	Dry-contact volt-free relay
Output load AC	10 A resistive ⚡ 6 A inductive ⚡
Output voltage rating AC	0 - 240 V ~ 50 Hz
Output load rating DC	0 - 25 V 3 A resistive ⚡ 25 - 240 V 200 mA resistive ⚡
Min. rated relay operations	40 000
Max. operations per hour	360
Wiring	1 - 4 mm ² Strip 6 - 7 mm
Operating temperature	0 to 45°C
Operating humidity	0 to 85 %
Material	PC
Classification	Class II

Wiring diagram



Wire preparation

1 - 4 mm²



Notice



For more information
on compliant software
see our website
zencontrol.com