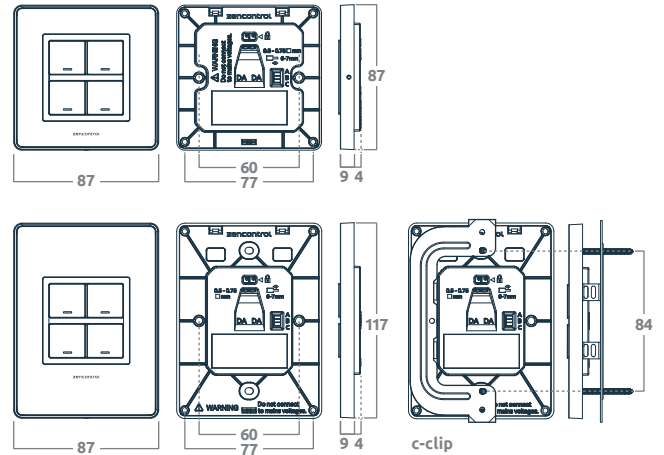


Dimensions

Order code	Dimensions	Mounting centres
zc-scene-a4	87 / 87 / 13 mm	64 mm
zc-scene-c-a4	87 / 177 / 13 mm	80 mm



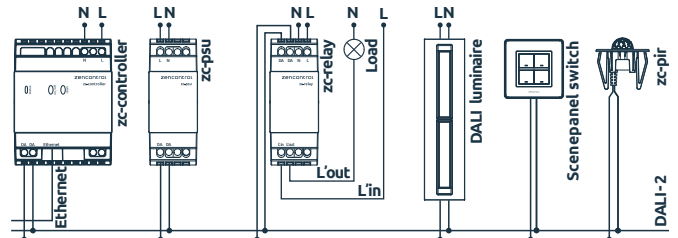
Product range

Order code	Description
zc-scene-a4	Standard Scenepanel switch to suit 60 mm wall mount
zc-scene-c-a4	C-clip compatible Scenepanel switch to suit 84 mm wall mount

Specifications

Supply voltage	9.5 - 22.5 V dc (supplied from DALI)
Supply current	15 mA
Supply	DALI
Control system	DALI-2
Input	1 - 4 configurable momentary pushbutton(s)
Operating temperature	0 to 45°C
Wiring	0.5 - 0.75 mm ² Strip 6 - 7 mm (supplied with 100 mm flylead)
Material	PC UV stabilised, ABS, 316 stainless
Ingress protection	IP20
Input device type	IEC 62386-301

System overview

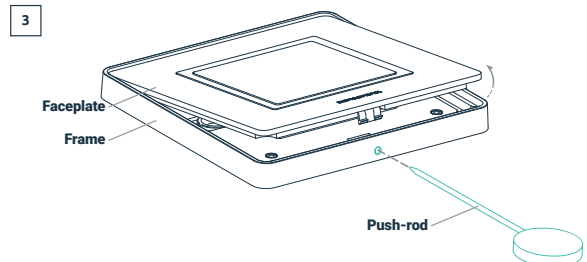


Installation

Remove the product from the box and inspect it for any damage. If you believe the product to be damaged or otherwise unsound, **do not** install the product. Please pack it back into its box and return it to the place of purchase for replacement.

If the product is satisfactory, proceed with the installation:

- 1 Ensure safety warnings are adhered to.**
- 2** Select button layout per configuration information overleaf.
- 3** Remove front plate by inserting a two millimetre push-rod into receptacle at the bottom of the frame.
- 4** Attach faceplate to frame by peeling cover off adhesive strips and pressing firmly together. **Note** if the plate has directional artwork please align the top to the two clips on the frame.
- 5** Connect the two DALI terminals to the DALI line ensuring wiring regulations are followed. DALI is not polarised. DALI is not SELV and as such must be treated as LV. **Do not connect the switch to any mains voltages.**
- 6** Mount base using suitable fasteners.
- 7** Install faceplate by aligning top clips and pressing down firmly.



Safety information

- This product must only be installed by a licensed electrician.
- Before commencing installation turn off and isolate the electrical supply.
- There are no user serviceable parts, attempting to service any part of the product will void the warranty
- The switch must not be connected to any mains. It is powered directly from the DALI line.
- DALI is not SELV and as such should be treated as LV.
- As the installer, it is your responsibility to ensure you comply to all relevant building and safety codes. Refer to application standards for the relevant rules.
- When the installation is complete, leave this manual with the building's owner for future reference.
- **Isolate electrical supply before removing faceplate. Circuit-board is NOT isolated.**

Kit content zc-scene-a4

zc-scene-btn-4	2 x blank quarter button
zc-scene-frm-mult	2 - 4 button frame to suit square base
zc-scene-fp-st	Brushed stainless faceplate for standard model

Kit content zc-scene-c-a4

zc-scene-btn-4	2 x blank quarter button
zc-scene-frm-mult-c	2 - 4 button frame to suit c-clip base
zc-scene-fp-st-c	Brushed stainless faceplate for c-clip model
**Not included	C-clip

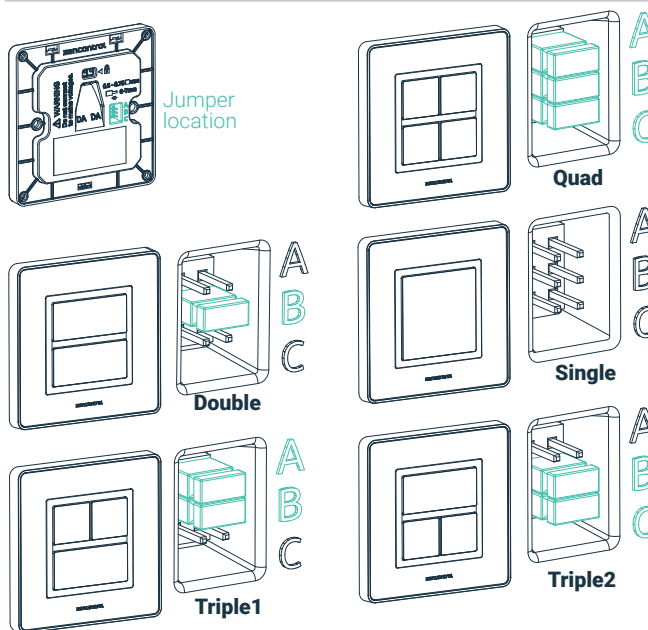
Accessory range (sold separately)

Order code	Description
zc-scene-btn-1	Blank single button (requires zc-scene-frm-s/-c)
zc-scene-btn-2	Blank half button
zc-scene-btn-4	Blank quarter button
zc-scene-frm-s	Single button frame to suit square base
zc-scene-frm-mult	2 - 4 button frame to suit square base
zc-scene-frm-c	Single button frame to suit c-clip base
zc-scene-frm-mult-c	2 - 4 button frame to suit c-clip base
zc-scene-fp-st	Brushed stainless faceplate for standard model
zc-scene-fp-st-c	Brushed stainless faceplate for c-clip model

Configuration

By default the device is configured with four control device instances with LED indicator. Actual function is dependant on the configuration of a DALI 2.0 application controllers connected to the DALI line.

Button configurations



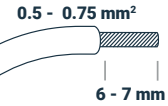
Quad	4 DALI control device instances, everything included in box
Single	1 DALI control device instance. Requires 1x zc-scene-frm-s/-c and 1x zc-scene-btn-1
Double	2 DALI control device instances Requires 2x zc-scene-btn-2
Triple 1 / 2	3 DALI control device instances. Requires 1x zc-scene-btn-2 and 1x zc-scene-btn-4

Wiring diagram

Input configuration



Wire preparation



Notice



For more information on compliant software see our website zencontrol.com