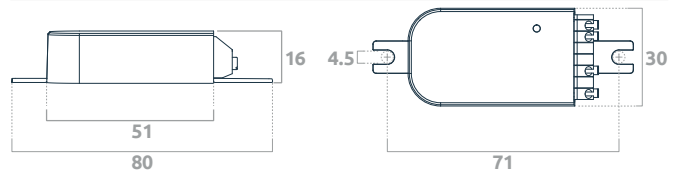
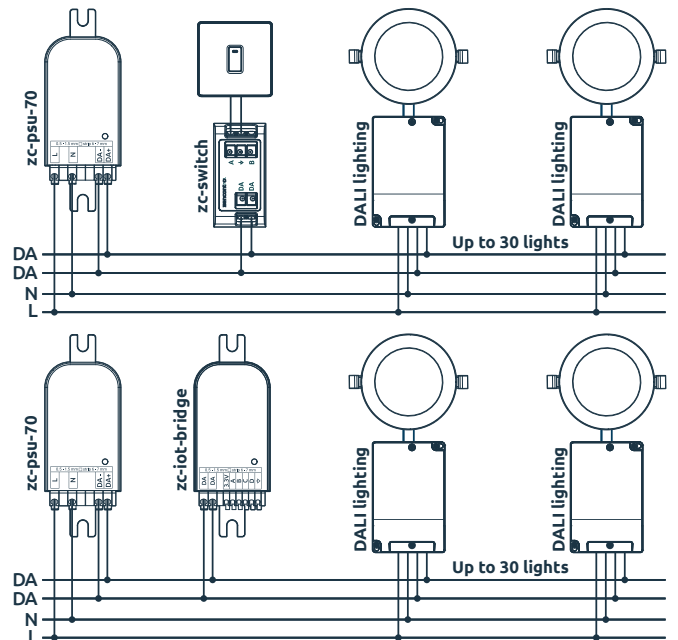


Dimensions

Mounting options	Inbuilt
Dimensions	80 / 16 / 30 mm



System overview

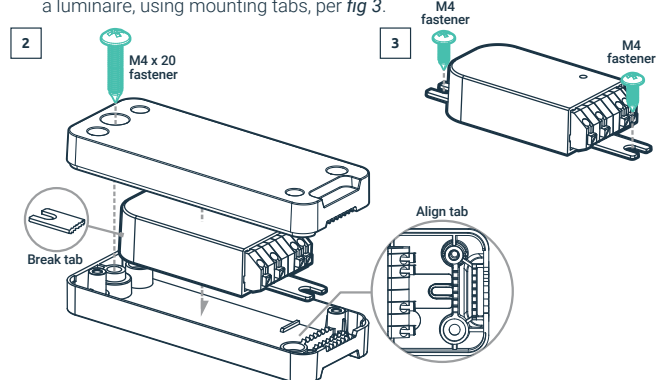


Installation

Remove the product from the box and inspect it for any damage. If you believe the product to be damaged or otherwise unsound, **do not** install the product. Please pack it back into its box and return it to the place of purchase for replacement.

If the product is satisfactory, proceed with the installation:

- 1 Ensure safety warnings are adhered to.
- 2 Wire according to wiring diagram, as shown in *fig 1*.
- 3 Optional: Break off back tab, and align front tab to case, to install inside field mount case, per *fig 2*.
- 4 Optional: Mount inside mains rated enclosure, such as a luminaire, using mounting tabs, per *fig 3*.



Notice

For more information on compliant software see our website zencontrol.com



Product range

Order code	Description
zc-psu-70	70 mA DALI-2 Power supply

Specifications

Supply voltage	220 - 240 V ~ 50 Hz
Control system	DALI-2 / DALI
DALI guaranteed supply current	70 mA
DALI maximum supply current	90 mA
DALI typical output voltage	16.5 V
Wiring	0.5 - 1.5 mm ² Strip 6 - 7 mm
Operating temperature	0 to 50°C
Material	PC
Classification	Class II

Safety information

- This product must only be installed by a licensed electrician.
- Before commencing installation turn off and isolate the electrical supply.
- There are no user serviceable parts, attempting to service any part of the product will void the warranty
- DALI is not SELV and as such should be treated as LV.
- As the installer, it is your responsibility to ensure you comply to all relevant building and safety codes. Refer to application standards for the relevant rules.
- When the installation is complete, leave this manual with the building's owner for future reference.

Wiring diagram

