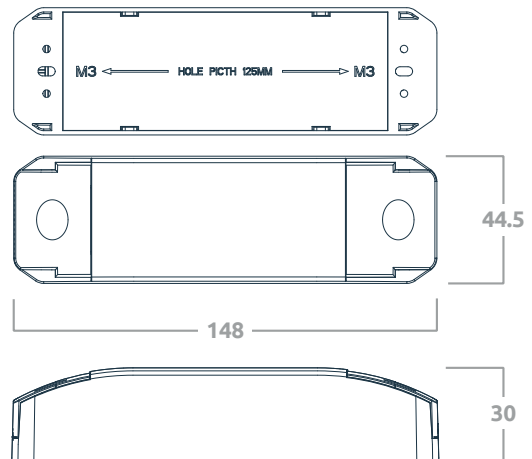


Dimensions

Mounting options	Independently mounted control for surface mounting
Fixing centres	125 mm
Dimensions	148 / 44.5 / 30 mm



Product range

Order code	Description
zc-smart-fan	Wired / wireless fan controller, field mount

Specifications

Supply voltage	230 V ~ 50 Hz
Control system	Wired DALI-2 Wireless IEC62386-104 over Thread
Radio support	IEEE 802.15.4
Frequency band	2.4 GHz
Max radio tx power	+8 dBm
DALI line current	2 mA
Wiring	1 - 4 mm ² Strip 6 - 7 mm
Motor control	375 W / ½ HP 1.6 A inductive load
Operating temperature	0 to 55°C
Material	PC
Classification	Class II
Ingress protection	IP20

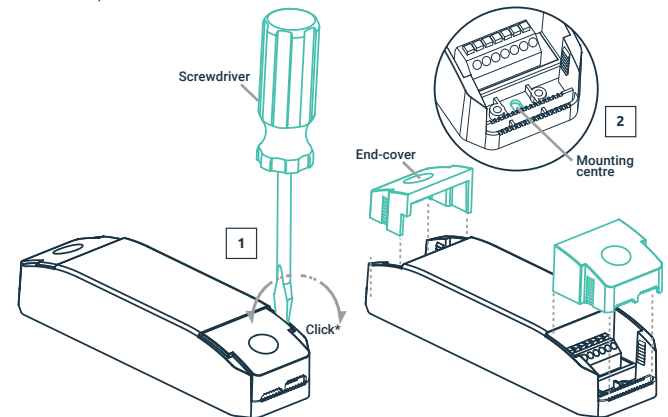
Installation

Remove the product from the box and inspect it for any damage. If you believe the product to be damaged or otherwise unsound, **do not** install the product. Please pack it back into its box and return it to the place of purchase for replacement.

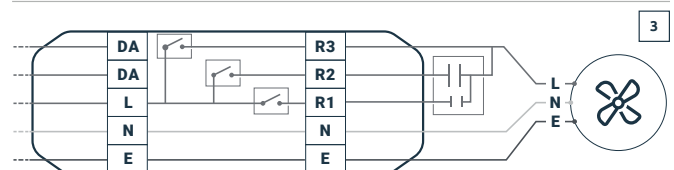
If the product is satisfactory, proceed with the installation:

- 1 Ensure safety warnings are adhered to.
- 2 Release the two end covers using a flatblade screwdriver **fig 1**.
- 3 Mount driver, **fig 2**, and wire the as per the wiring diagram in **fig 3**.
- 4 Replace end covers to ensure adequate strain relief.

Note fan must have an appropriate MCB to protect the load circuit.



Wiring diagram



Wire preparation
1 - 4 mm²

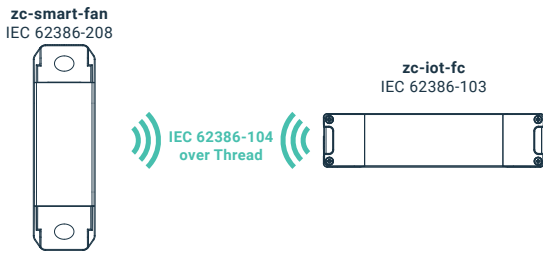


Safety information

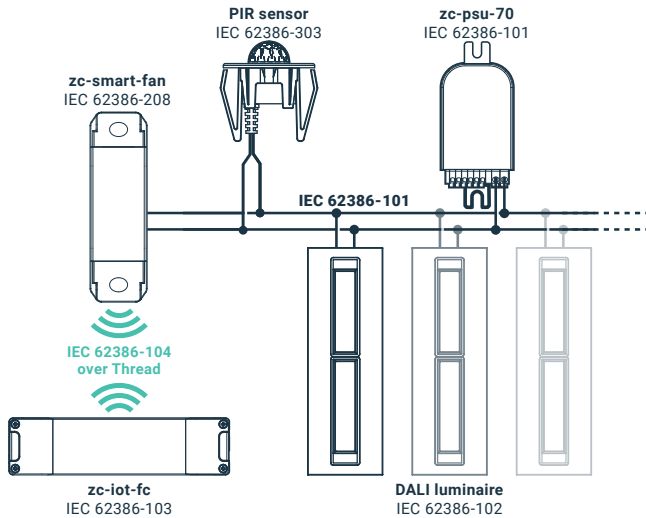
- This product must only be installed by a licensed electrician.
- Before commencing installation turn off and isolate the electrical supply.
- There are no user serviceable parts, attempting to service any part of the product will void the warranty
- DALI is not SELV and as such should be treated as LV.
- As the installer, it is your responsibility to ensure you comply to all relevant building and safety codes. Refer to applicable standards for the relevant rules.

System overview: modes

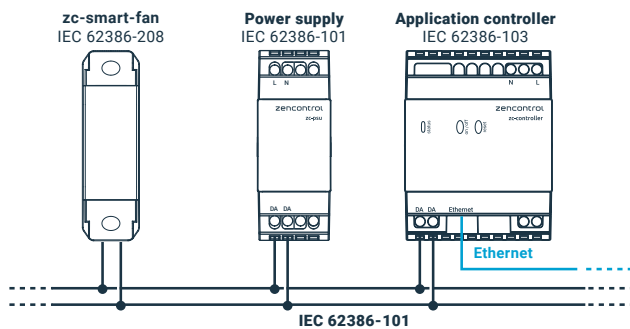
- 1 **104 mode** is enabled after the device has been added to a 104 application controller such as zc-iot-fc.



- 2 **104 + 101 Bridge mode** is enabled after the device has been added to a 104 controller and a 101 power supply has been connected to the DALI terminals.



- 3 **101 mode** is enabled after a 101 power supply has been connected to the DALI terminal and the device **has not** been added to a 104 application controller.



Four speed output configuration

Speed	Arc min	Arc max	■ On × Off		
			R1	R2	R3
0 (Off)	-	0 (0%)	×	×	×
1 (Low)	1 (0.1%)	63 (0.543%)	■	×	×
2	64 (0.559%)	127 (3.119%)	×	■	×
3	128 (3.206%)	191 17.905%	■	■	×
4 (High)	192 (18.4%)	254 (100%)	×	×	■

Notice



For more information on compliant software see our website zencontrol.com