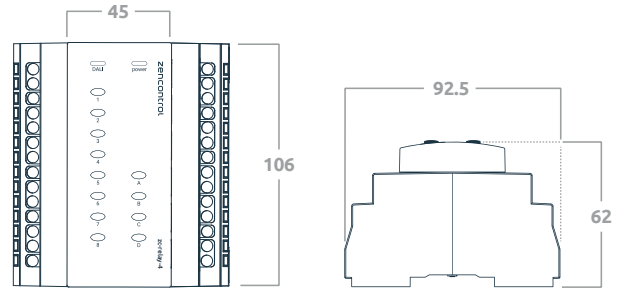


## Dimensions

**Mounting options** DIN rail (35 mm)

**Dimensions** 92.5 / 106 / 62 mm

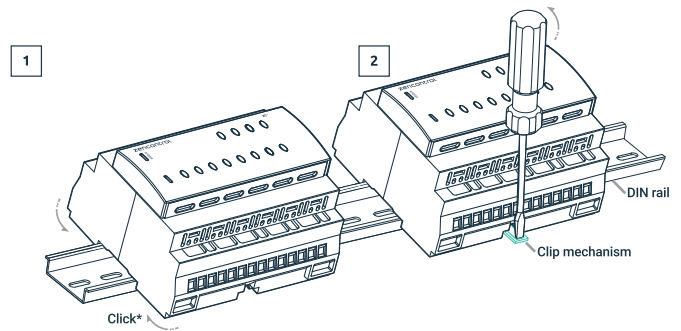


## Installation

Remove the product from the box and inspect it for any damage. If you believe the product to be damaged or otherwise unsound, **do not** install the product. Please pack it back into its box and return it to the place of purchase for replacement.

If the product is satisfactory, proceed with the installation:

- 1 Ensure safety warnings are adhered to.
- 2 Mount the io interface on DIN rail inside a mains rated enclosure as shown in **fig 1**. To remove from DIN rail, release the clip mechanism with a flat blade screw driver, as per **fig 2**.
- 3 Wire the io interface as per **wiring diagram**, overleaf.



## Safety information

- This product must only be installed by a licensed electrician.
- Before commencing installation turn off and isolate the electrical supply.
- There are no user serviceable parts, attempting to service any part of the product will void the warranty.
- DALI is not SELV and as such should be treated as LV.
- As the installer, it is your responsibility to ensure you comply to all relevant building and safety codes. Refer to applicable standards for the relevant rules.
- When the installation is complete, leave this manual with the building's owner for future reference.

## Product range

Order code	Description
zc-io-8	DALI controller with 8 x 0-10V

## Specifications

<b>Supply voltage</b>	220 - 240 V ~ 50 Hz
<b>Control system</b>	<b>Wired</b> DALI-2 <b>Wireless</b> IEC62386-104 over Thread
<b>Radio support</b>	IEEE 802.15.4
<b>Frequency band</b>	2.4 GHz
<b>Max radio tx power</b>	+8 d8m
<b>DALI line current</b>	2 mA
<b>Output type</b>	0-10V or switch input
<b>I01 to I08 max current per channel</b>	20mA sink / source
<b>I01 to I08 voltage range</b>	0V to 11V
<b>Wiring</b>	1 - 4 mm <sup>2</sup> Strip 6 - 7 mm
<b>Operating temperature</b>	0 to 45°C
<b>Operating humidity</b>	0 to 85 %
<b>Material</b>	PC
<b>Classification</b>	Class II

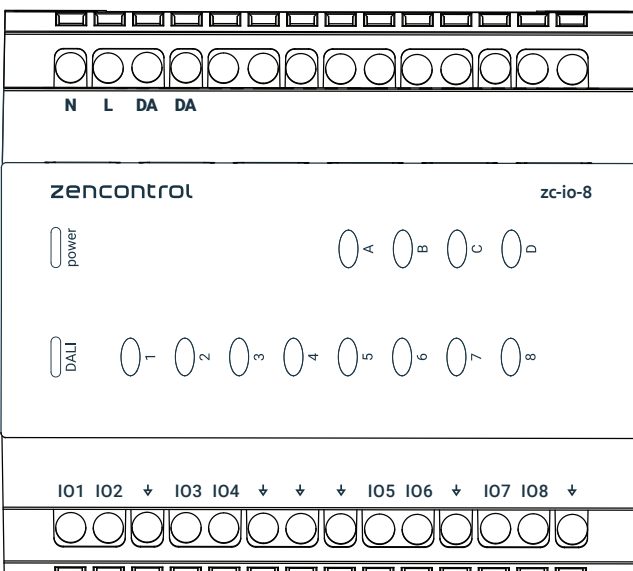
## Relay button actions

Button	Action	Function
1	Press	Toggle output state
2	Press	Toggle output state
3	Press	Toggle output state
4	Press	Toggle output state
5	Press	Toggle output state
6	Press	Toggle output state
7	Press	Toggle output state
8	Press	Toggle output state

## LED indicators

Indicator	Status	Description
Power	ON	Device is powered
	OFF	Device is not powered
DALI	Flashing	There is traffic on DALI line
	OFF	There is no traffic on the DALI line
1	ON	Output 1 active
	OFF	Output 1 OFF
2	ON	Output 1 active
	OFF	Output 1 OFF
3	ON	Output 1 active
	OFF	Output 1 OFF
4	ON	Output 1 active
	OFF	Output 1 OFF
5	ON	Output 1 active
	OFF	Output 1 OFF
6	ON	Output 1 active
	OFF	Output 1 OFF
7	ON	Output 1 active
	OFF	Output 1 OFF
8	ON	Output 1 active
	OFF	Output 1 OFF

## Wiring diagram

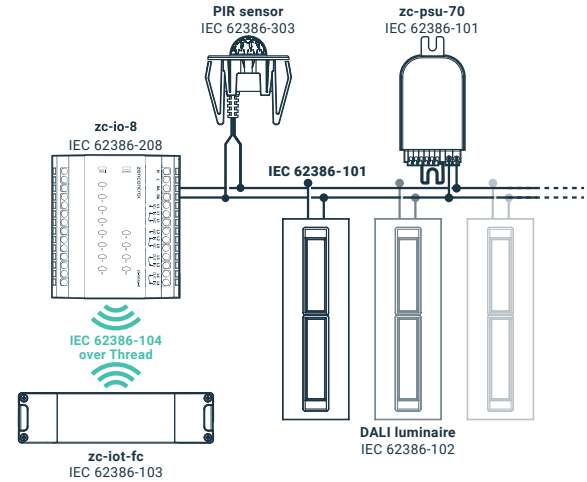


## System overview: modes

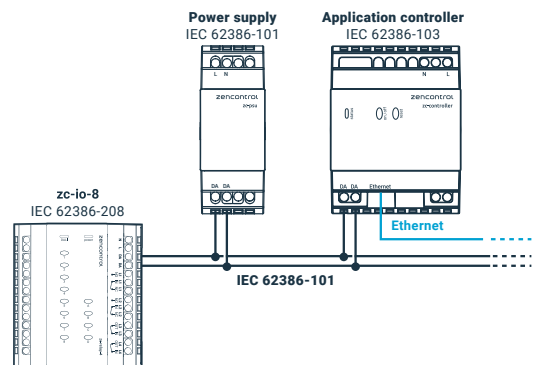
**104 mode** is enabled after the device has been added to a 104 application controller such as zc-iot-fc.



**104 + 101** Bridge mode is enabled after the device has been added to a 104 controller and a 101 power supply has been connected to the DALI terminals.



**101 mode** is enabled after a 101 power supply has been connected to the DALI terminal and the device **has not** been added to a 104 application controller.



## Notice



For more information on compliant software see our website [zencontrol.com](https://zencontrol.com)