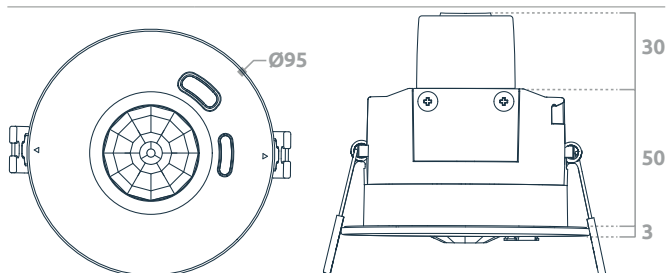


Dimensions

Mounting (kits sold separately)	Recessed (cut-out min Ø83 mm)
	Wall mount kit (mounting centres 85 mm)
	Surface mount kit
	Rod mount kit
	Conduit mount kit (mounting centres 50-60 mm)

Dimensions Ø95 / 83 mm



Safety information

- This product must only be installed by a licensed electrician.
- Before commencing installation turn off and isolate the electrical supply.
- There are no user serviceable parts, attempting to service any part of the product will void the warranty
- DALI is not SELV and as such should be treated as LV.
- As the installer, it is your responsibility to ensure you comply to all relevant building and safety codes. Refer to applicable standards for the relevant rules.
- When the installation is complete, leave this manual with the building's owner for future reference.

Product range

Order code	Description
zc-pms-iot-2sw-r	PIR and air quality sensor 8m, with inbuilt relay, two switches and DALI psu
zc-pms-iot-2sw-vf	PIR and air quality sensor 8m, with inbuilt volt free relay, two switches and DALI psu
zc-pms-da-2sw-r	PIR and air quality sensor 8m, with inbuilt relay, two switches
zc-pms-da-2sw-vf	PIR and air quality sensor 8m, with inbuilt volt free relay, two switches

Specifications

Supply	220 - 240 V ~50 Hz
Supply current	< 0.1 A
Wireless (-iot models)	IEC62386-104 over Thread
DALI output (-iot models)	16.5 V dc, 35mA
Relay output (-r models)	165 A / 20 ms inrush current 492 A / 1.5 ms LED inrush current 10 A capacitive ⚡ 10 A inductive ⚡ 10 A resistive ⚡
Output load rating AC (-vf models)	10 A resistive ⚡ 6 A inductive ⚡
Output load rating DC (-vf models)	0 - 25 V 3 A resistive ⚡ 25 - 240 V 200 mA resistive ⚡
Radio support	IEEE 802.15.4
Lens	Fresnel
Sensors	PIR, lux, IAQ, humidity, temperature
Wiring (iot models)	2.5 mm ² cable (no earth, suits round and tps)
Operating temperature	-10 to 55°C
Material	PC (body)
Ingress protection	IP20

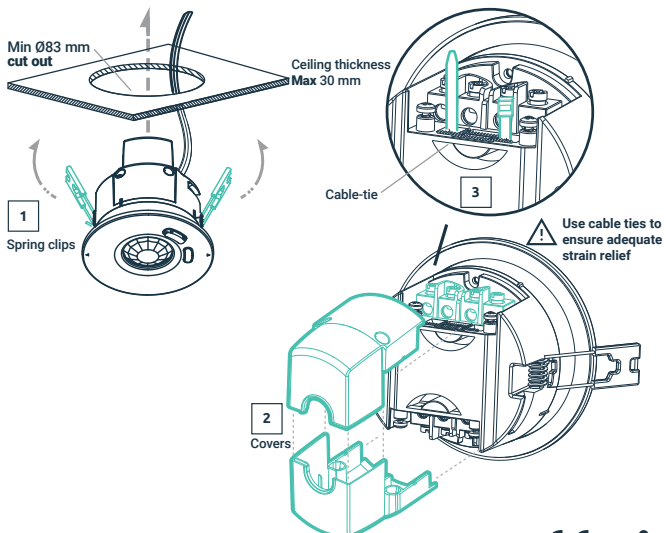
Installation

Remove the product from the box and inspect it for any damage. If you believe the product to be damaged or otherwise unsound, **do not** install the product. Please return it to the place of purchase for replacement.

If the product is satisfactory, proceed with the installation:

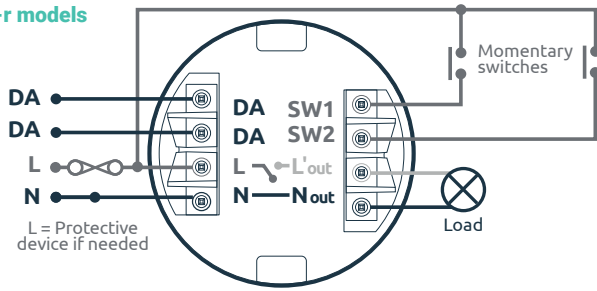
- 1 Choose a location considering the conditions listed in the **detection pattern** section.
- 2 Drill mounting hole in desired position using 83 mm hole saw.
- 3 Push the spring clips in as per **fig 1**. Insert sensor into the desired position and the spring clips will automatically release, ensuring that the sensor is secure and flush up against the ceiling.
- 4 Remove covers, as per **fig 2**, and wire per diagrams overleaf. Ensure wiring is secured using included cable-ties, per **fig 3**.

Note supply to relay circuit must have an appropriate MCB to protect the load circuit.

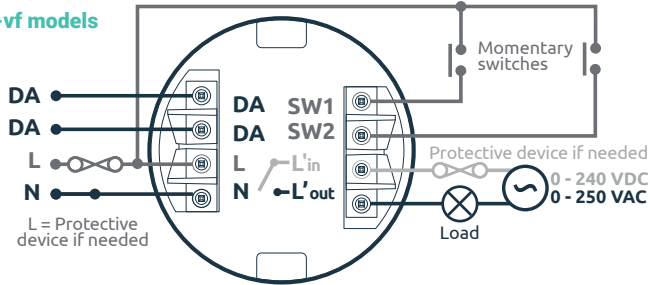


Wiring

-r models



-vf models



Programming & default standalone configuration

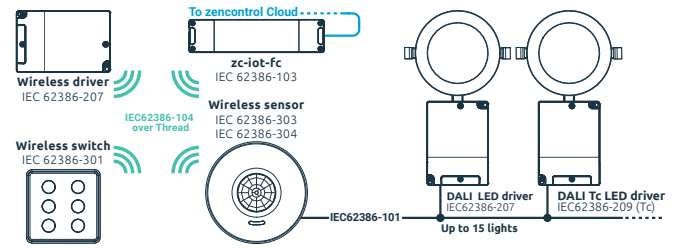
Sensor mode	Presence mode. The sensor will automatically turn lights on when movement is detected.
Sensor idle-time	14 minutes after the last presence was detected
Sensor warn-time	Light is switched off after 1 minute with no movement detected.
Sensor warn-level	Lights are dimmed to 1 % after the idle-time has expired.
SW1 mode	Dimmer, short press toggle on/off, long press toggle up/down.
SW2 mode	Colour dimmer, long press toggle step cooler/step warmer

Standalone mode is automatically disabled after addressing either the ECD / ECG short address via IEC62386-104 or setting the ECD operating mode to 0.

Glossary

PB	IEC62836-301 – Input devices – Push buttons
ABS	IEC62836-302 – Input devices – Absolute input devices
OCC	IEC62836-303 – Input devices – Occupancy sensor
Lux	IEC62836-304 – Input devices – Light sensor

System overview

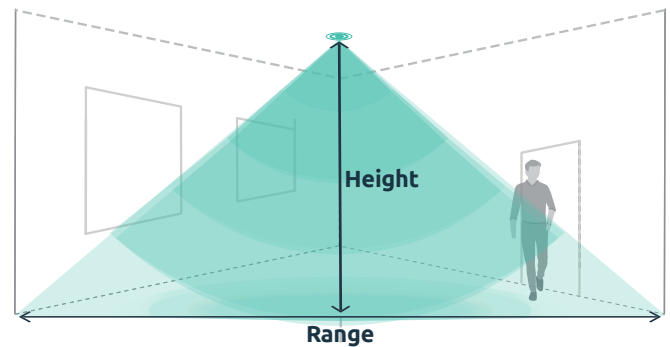


Note The zc-pms-iot-2sw-r or zc-pms-iot-2sw-vf smart sensor supplies 35 mA of DALI current and does not require external DALI power supply. When used with zc-iot-fc the device will act as a bridge between IEC62386-104 to IEC62386-101.

Detection pattern

Mounting height	2 - 12 m	Range ø	8 m (mounted at 2.7 m)
------------------------	----------	----------------	------------------------

- The units detection range may alter with changes in ambient temperature.
- Position sensor so that movement occurs across the scan area. Detection range will be reduced when walking directly towards or away from the sensor.
- Do not direct sensor at reflective surfaces or variable heat sources.
- Do not aim sensor directly at the sun, this may cause damage to the PIR sensor.



Accessory range

Order code	Description
zc-smart-wall-kit	Smart sensor wall mount kit
zc-smart-sm-kit	Smart sensor surface mount kit, for surface, rod, conduit mount
zc-rodmount-wht	Rod mount kit, white, for with Smart sensor surface mount kit

Model	ECG	Device type	ECD operating mode	Number of instances	Instance type				
					Instance 0	Instance 1	Instance 2	Instance 3	Instance 4
zc-pms-iot/da	0	-	0x00 / 0x80	3	3 (OCC)	4 (Lux)	0	-	-
-r / -vf	1	7	0x00 / 0x80	3	3 (OCC)	4 (Lux)	0	-	-
-2sw-r -2sw-vf	1	7	0x00 / 0x80	5	3 (OCC)	4 (Lux)	0	1 (PB)	1 (PB)
			0x81					2 (ABS)	1 (PB)
			0x82					1 (PB)	2 (ABS)
			0x83					2 (ABS)	2 (ABS)