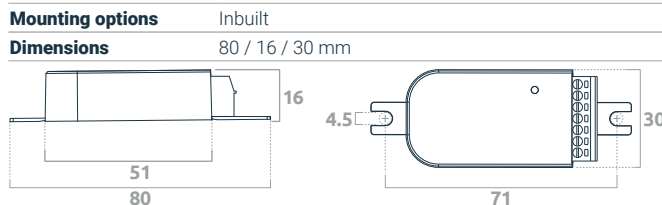


Dimensions



System overview: modes

1 **104 mode** is enabled after the device has been added to a 104 application controller such as zc-iot-fc.

zc-pwm-iot-4ch-6a
IEC 62386-207



zc-iot-fc
IEC 62386-103



Product range

Order code	Description
zc-pwm-iot-4ch-6a	LED pwm controller

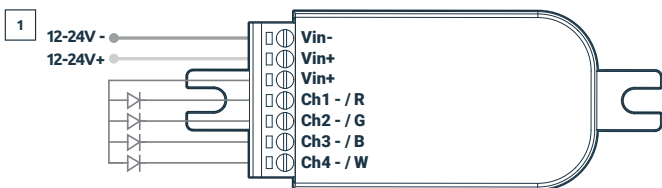
Specifications

Supply voltage	12 - 24 Vdc
Self consumption	150mW
Control system	Wireless IEC62386-104 over Thread
Radio support	IEEE 802.15.4
Frequency band	2.4 GHz
Max radio tx power	+8 dBm
Output load	6A total 0 - 6A per channel
Output load type	LED only
Independent channels	4
Bus unit configurations	4 x DT6, 2 x DT8-TC, DT8-RGBW (see bus unit configuration table)
Wiring	0.2 - 1.5 mm ² Strip 6 - 7 mm
Operating temperature	0 to 55°C
Material	PC
Classification	Class III
Ingress protection	IP20

Safety information

- There are no user serviceable parts, attempting to service any part of the product will void the warranty
- As the installer, it is your responsibility to ensure you comply to all relevant building and safety codes. Refer to applicable standards for the relevant rules.
- When the installation is complete, leave this manual with the building's owner for future reference.

Wiring diagram



Wire preparation

0.2 - 1.5 mm²

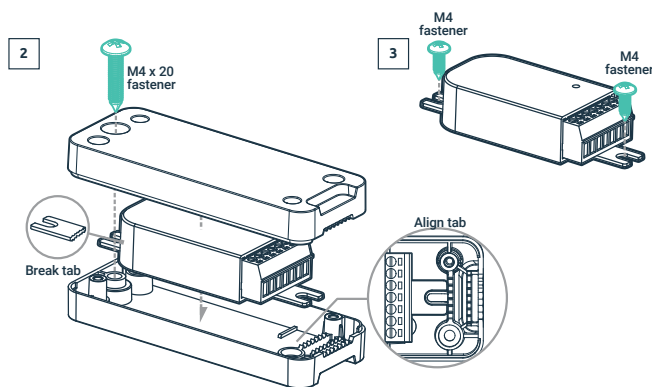


Installation

Remove the product from the box and inspect it for any damage. If you believe the product to be damaged or otherwise unsound, **do not** install the product. Please pack it back into its box and return it to the place of purchase for replacement.

If the product is satisfactory, proceed with the installation:

- Ensure safety warnings are adhered to.
- Wire according to wiring diagram, as shown in *fig 1*.
- Optional:** Break off back tab, and align front tab to case, to install inside field mount case, per *fig 2*.
- Optional:** Mount inside mains rated enclosure, such as a luminaire, using mounting tabs, per *fig 3*.



Bus unit configurations

Bus unit config.	No. of ECG	Channel 1	Channel 2	Channel 3	Channel 4
192 (default)	4	ECG index 0 DT6 (LED)	ECG index 1 DT6 (LED)	ECG index 2 DT6 (LED)	ECG index 3 DT6 (LED)
193	2	ECG index 0 DT8-TC (cool)	ECG index 0 DT8-TC (warm)	ECG index 1 DT8-TC (cool)	ECG index 1 DT8-TC (warm)
194	1	ECG index 0 DT8-RGBW (red)	ECG index 0 DT8-RGBW (green)	ECG index 0 DT8-RGBW (blue)	ECG index 0 DT8-RGBW (white)

Note: Bus unit configuration RGBW can be set using the zencontrol commissioning application. See support.zencontrol.com for more information.