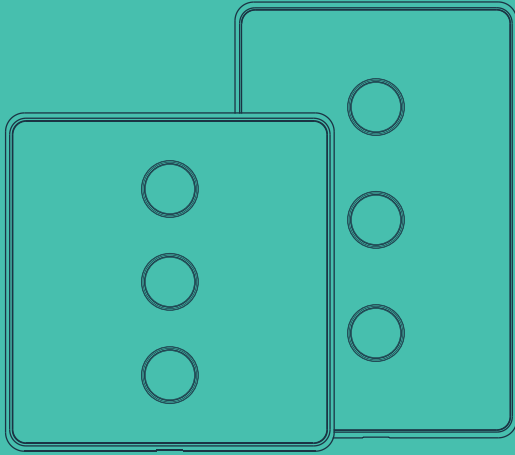


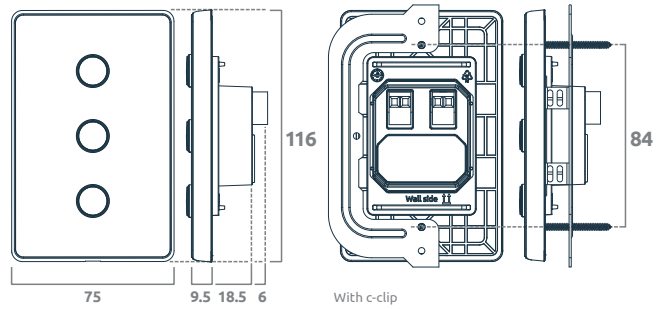
## Smart switch w/3-buttons **zc-ss-3sw**

# zencontrol

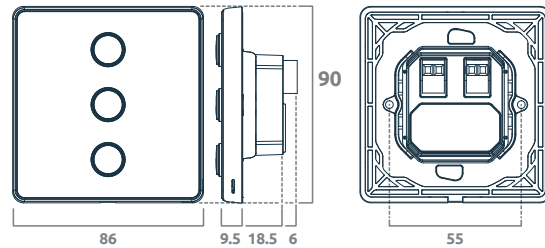


## Dimensions (mm)

**zc-ss-3sw** Fixing centres 84 mm Dimensions W75 / H117 / D34 mm



**zc-ss-3sw-eu** Fixing centres 55 mm Dimensions W86 / H86 / D34 mm



## Product range

Order code	Description
<b>zc-ss-3sw-blk</b>	Smart switch with 3 buttons to suit 84 mm wall mount, black
<b>zc-ss-3sw-wht</b>	Smart switch with 3 buttons to suit 84 mm wall mount, white
<b>zc-ss-3sw-eu-blk</b>	Smart switch with 3 buttons to suit 55 mm wall mount, black
<b>zc-ss-3sw-eu-wht</b>	Smart switch with 3 buttons to suit 55 mm wall mount, white

## Specifications

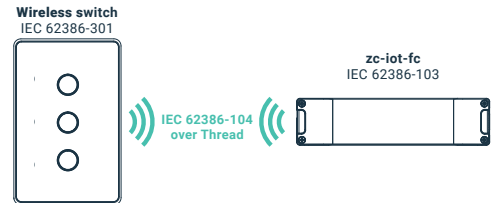
<b>Supply</b>	220 - 240 V
<b>Supply current</b>	4 mA
<b>Control system</b>	IEC62386-104 over Thread® / DALI-2
<b>Radio support</b>	IEEE 802.15.4
<b>Frequency band</b>	2.4 GHz
<b>Max radio tx power</b>	+8 dBm
<b>DALI line current</b>	2 mA
<b>Wiring</b>	1 - 4 mm <sup>2</sup> Strip 8 - 10 mm
<b>Operating temperature</b>	0 to 55°C
<b>Material</b>	PC UV stabilised, toughened glass, aluminium
<b>Ingress protection</b>	IP20

## Safety information

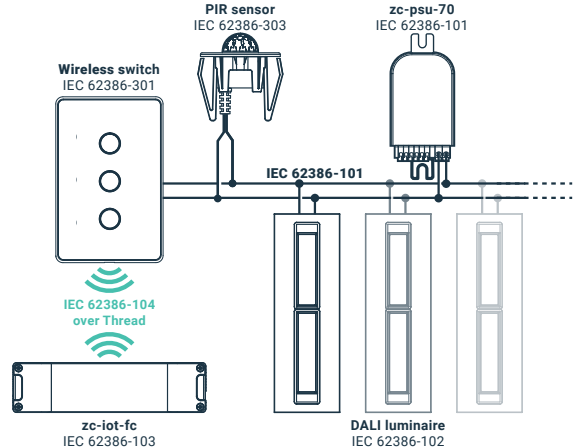
- This product must only be installed by a licensed electrician.
- Before commencing installation turn off and isolate the electrical supply.
- There are no user serviceable parts, attempting to service any part of the product will void the warranty
- DALI is not SELV and as such should be treated as LV.
- As the installer, it is your responsibility to ensure you comply to all relevant building and safety codes. Refer to application standards for the relevant rules.
- **Isolate electrical supply before removing faceplate. Circuit-board is NOT isolated.**

## System overview: modes

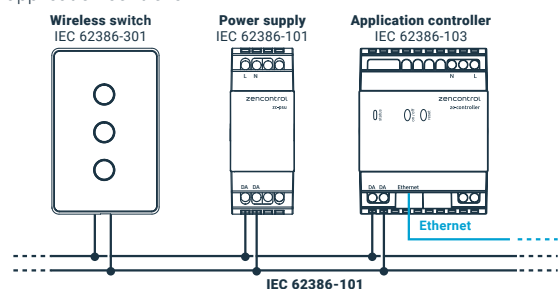
- 104 mode** is enabled after the device has been added to a 104 application controller such as zc-iot-fc.



- 104 + 101** Bridge mode is enabled after the device has been added to a 104 controller and a 101 power supply has been connected to the DALI terminals.



- 101 mode** is enabled after a 101 power supply has been connected to the DALI terminal and the device **has not** been added to a 104 application controller.

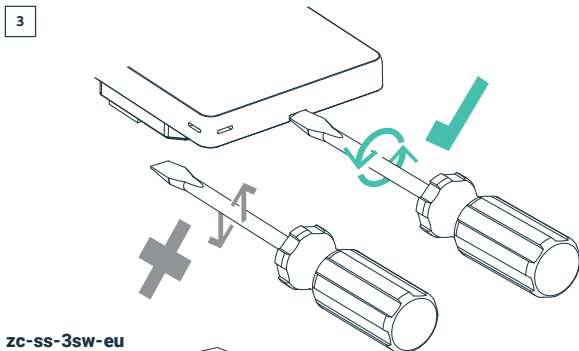


## Installation

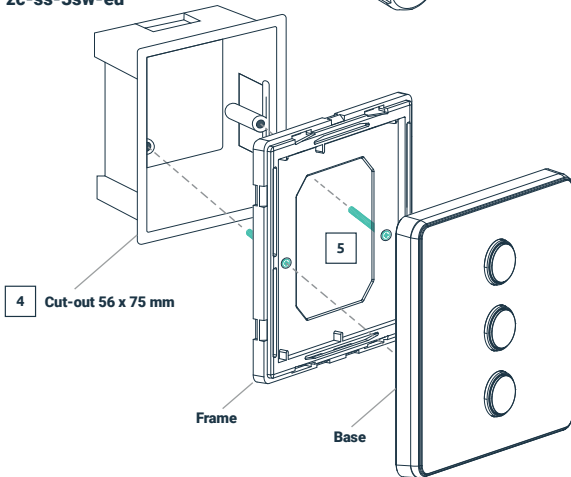
Remove the product from the box and inspect it for any damage. If you believe the product to be damaged or otherwise unsound, **do not** install the product. Please pack it back into its box and return it to the place of purchase for replacement.

If the product is satisfactory, proceed with the installation:

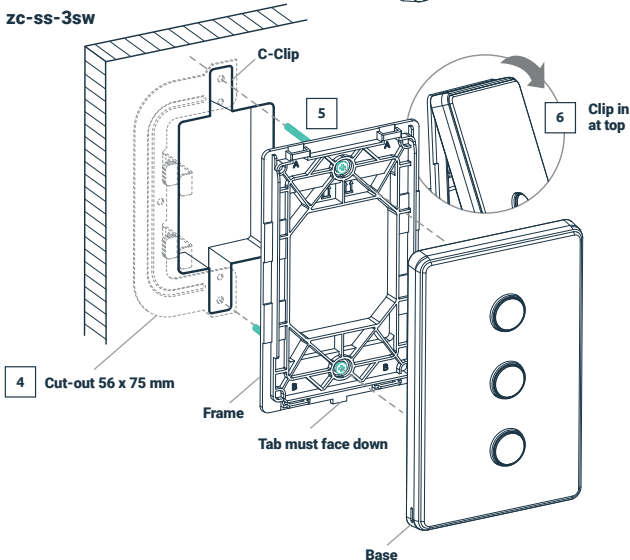
- 1 Ensure safety warnings are adhered to.**
- 2 Optional:** Connect the two DALI terminals to the DALI line ensuring wiring regulations are followed. DALI is not polarised. DALI is not SELV and as such must be treated as LV. **Do not connect DALI to any mains voltages.**
- 3** Remove front plate by inserting a screwdriver (min. 5.5pt) into receptacle at the bottom of the frame. Twist left, twist right, to release cover, **do not** lever.
- 4** Cut-out the hole, insert wallbox if applicable.
- 5** Insert provided screws into frame and attach to pre-mounted wallbox/c-clip.
- 6 Not applicable to eu versions.** Latch cover on top of frame to clip base back into frame, attached on the wall.



zc-ss-3sw-eu

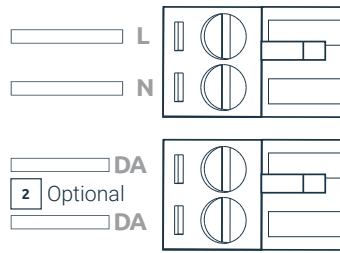


zc-ss-3sw



## Wiring diagram

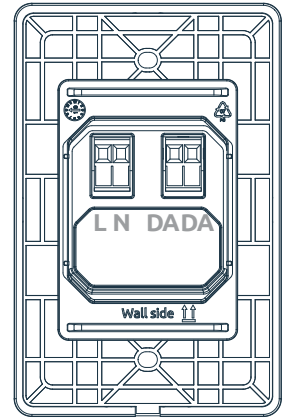
Input configuration



Wire preparation



Ensure each terminal is lined up with correct marking on the product label



## Configuration

- By default the device is configured with 1/2/3 control device instances with LED indicator. Actual function is dependant on the configuration of a DALI-2 application controllers connected to the DALI line, or the Wireless application controller.
- By default the device will configure its mode of operation depending on what has been commissioned.

## ECD operating mode

- **128 (0x80) Bridge mode (default):** Device acts as a bridge between Thread 104 interface and DALI devices connected via 101 interface
- **129 (0x81) Beacon mode:** Device broadcasts Bluetooth beacons and communicates via 104 interface if Thread network is commissioned otherwise via 101 interface. For more information on how to configure Beacons visit support.zencontrol.com
- **130 (0x82) Bridge disabled:** Device communicates via both 104+101 interface, however, bridge mode is disabled (i.e. Devices connected on the 101 interface will not be available on the Thread 104 system)

## Notice



For more information on compliant software see our website [zencontrol.com](https://zencontrol.com)