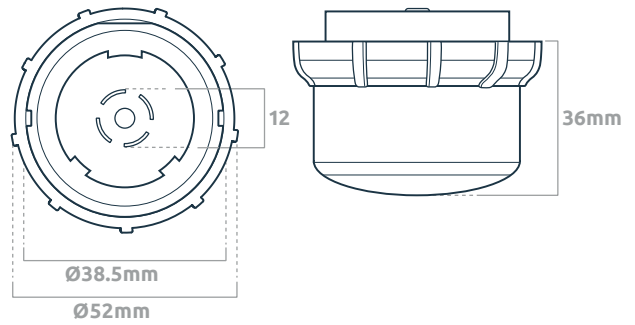


Dimensions

Mounting options	Zhaga male plug
Dimensions	W Ø52 / H 360 mm



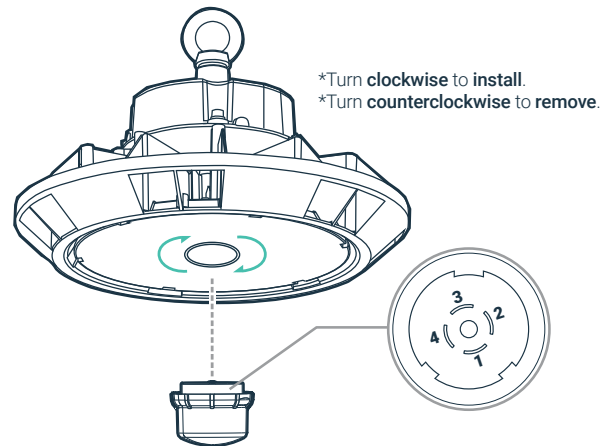
Installation

Remove the product from the box and inspect it for any damage. If you believe the product to be damaged or otherwise unsound, **do not** install the product. Please pack it back into its box and return it to the place of purchase for replacement.

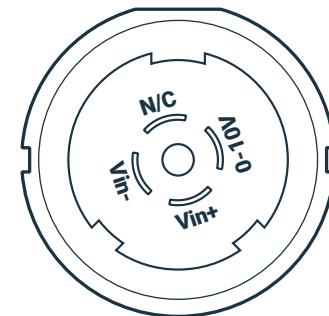
If the product is satisfactory, proceed with the installation:

- 1 Ensure safety warnings are adhered to.
- 2 Install module according to the diagram below.

Notice: Do not remove the sticker from the outside of the product.



Wiring diagram



Terminal configuration table

N/C	No connection
0-10V	0-10V / 1-10V control signal
Vin+	Device positive power supply
Vin-	Voltage negative power supply

Product range

Order code	Description
zc-z10-mw	Wireless microwave sensor, zhaga 0-10 output
zc-z10	Wireless zhaga 0-10 output

Specifications

Supply voltage	12 - 24 Vdc
Supply current	< 50mA
Control system	IEC62386-104 over Thread
Operating temperature	-10 to 55°C
Material	PC
Mounting	Zhaga port (female)
Ingress protection	IP66
Output voltage (0-10)	0-10Vdc
Output current (0-10)	<2mA max
Classification	III
Detection range	8 m (mounted at 2.7m)
Mounting height	2 - 8 m
Microwave	Microwave 5.8 GHz, 0.2 mW

Safety information

- Before commencing installation turn off and isolate the electrical supply.
- There are no user serviceable parts, attempting to service any part of the product will void the warranty
- As the installer, it is your responsibility to ensure you comply to all relevant building and safety codes. Refer to applicable standards for the relevant rules.
- When the installation is complete, leave this manual with the building's owner for future reference.

Notice

Download the **zencontrol** Android app to configure your device.



Standalone
zencontrol
Express



Full control
zencontrol
Commissioning